



## Key Features

### • Wireless Handset:

Check visitors and respond promptly from everywhere in the home and even while you are doing something else, by wireless handset. UP to 4 wireless monitor connectable. Max wireless range is 100 m with no obstacles. You can add on repeaters expand the range.

• **Picture Recording Function:** The intercom records the images of up to 400. (50 separate sessions: 1 session consists of 8 shots)

• **5-inch Wide Screen:** Main monitor offer easy viewing at wide angles both vertical and horizontal.

• **Voice Change Function:** This function makes woman's voice (higher keys) sounds like a man's (lower keys).

• **Intercom Call:** Both the main monitor station and the sub monitor station can transfer a door call using the same operation. When using multiple sub monitor stations, you can make intercom calls between the sub monitor stations.

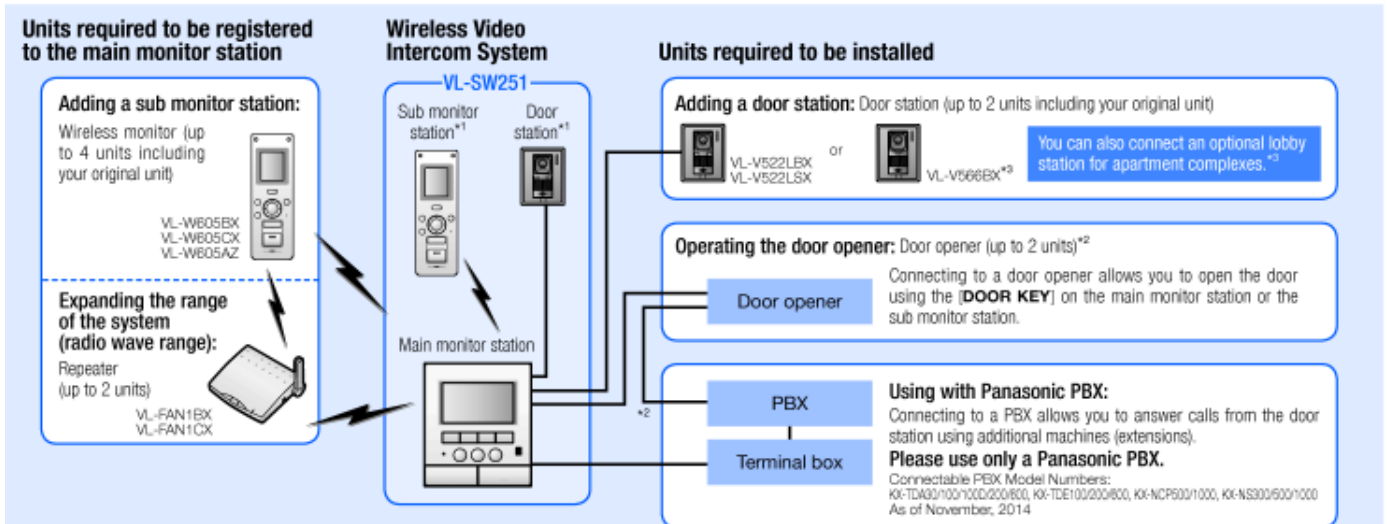
### • Electric Lock Release Support (Door Opener):

The door lock can be easily and quickly released even from the second floor of the house.

### • Night Vision with LED lights (illumination lamp) :

Door Station is equipped with LED lights (illumination lamp). It enables the colour display of visitors at a distance of about 50 cm at night.

### • Expanding your system with optional units



\*1 For VL-MW251BX/VL-MW251CX/VL-MW251SX users: The sub monitor station and door station are optional (not included). \*2 You can connect up to 2 door openers to the main monitor station. If the main monitor station is connected to a PBX, one of the 2 door openers can be connected to the PBX and operated from the PBX extensions. \*3 Cannot be connected to the VL-SW251AZ

## Accessory information

**For the sub Monitor station:** AC adaptor (Cord length: Approx. 1.8 m) x 1, Battery x 1, Battery cover x 1, Charger x 1, Charger stand x 1

**For the Door Station:** Wood screws (3.8 mm x 20 mm) x 2

**For the Main Monitor Station:** Mounting bracket x 1, Wood screws (4 mm x 16 mm) x 2

## Optional Accessories



- Up to 20 Main monitors connectable
- Cannot be connected to the VL-SW251AZ.

## Relative Product

# Model Composition

VL-SW251	<b>VL-SW251BX</b> (VL-MW251BX x 1, VL-W605BX x 1, VL-V522L) / <b>VL-SW251CX</b> (VL-MW251CX x 1, VL-W605CX x 1, VL-V522L) <b>VL-SW251SX</b> (VL-MW251BX x 1, VL-W605BX x 1, VL-V522L) / <b>VL-SW251AZ</b> (VL-MW251AZ x 1, VL-W605AZ x 1, VL-V522L)
----------	--

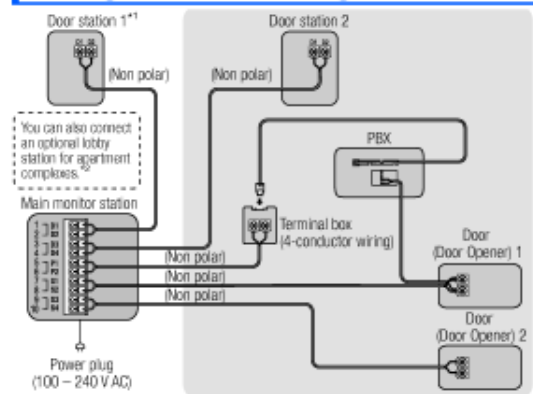
## Specifications

Model number and name	VL-MW251BX/CX/AZ	VL-V522L	VL-W605BX/CX/AZ	
	Main Monitor Station (Main monitor)	Door Station (Doorphone)	Wireless Monitor (Sub monitor station)	
Dimensions			Main body	Charger
Power supply	100 – 240 V AC, 50/60 Hz	Supplied by the Main Monitor Station	Ni-MH battery (3.6 V DC / 650 mAh)	AC adaptor VL-W605BX: POLY2196X (100-240 V AC, 50/60 Hz) VL-W605CX: POLY219E (220-240 V AC, 50/60 Hz) VL-W605AZ: POLY219AZ (220-240 V AC, 50/60 Hz)
Power consumption	Standby: Approx. 0.04 A During operation: Approx. 0.28 A	-	-	-
Dimensions (H x W x D) (Excluding protruding sections)	Approx. 190 x 165 x 38 mm	Approx. 131 x 99 x 36.5 mm	Approx. 157 x 52 x 35 mm	Approx. 115 x 76 x 90 mm Approx. 105 x 76 x 48 mm (using without the stand)
Weight	Approx. 785 g	Approx. 200 g	Approx. 175 g (including the battery)	Approx. 115 g (including the stand)
Operating environment	0 °C to 40 °C, Up to 90 % RH (Relative Humidity) non condensing	-10 °C to 50 °C, Up to 90 % RH (Relative Humidity) non condensing	0 °C to 40 °C, Up to 90 % RH (Relative Humidity) non condensing	0 °C to 40 °C, Up to 90 % RH (Relative Humidity) non condensing
Display	Approx. 5-inch, wide colour display	-	1.8" colour LCD monitor	-
Frequency	2.402 GHz – 2.481 GHz	-	2.402 GHz – 2.481 GHz	-
Viewing angle	-	Horizontally: Approx. 87° Vertically: Approx. 66°	-	-
Installation method	Wall mount (Wall mount bracket included)	Wall mount (Wall mount base included)	-	-
Minimum illuminance required	-	1 lx (within approx. 50cm from the camera lens)	-	-
Lighting method	-	Warm white LED lights, Infrared LEDs	-	-
IP rating/IK rating	-	IPX3*	-	-
External material	Flame retardant ABS resin	Flame retardant ABS resin	ABS resin	ABS resin

\*1 Water resistance is only assured if the camera is installed correctly according to the instructions in the Installation Guide, and appropriate water protection measures are taken.

Model number and name	VL-FAN1BX/CX	VL-V590BX/CX
	Optional Repeater for Wireless Monitor	Optional Lobby Station
Dimensions	<p>Up to 2</p> <p>*Cannot be connected to the VL-SW251AZ.</p>	<p>Up to 2</p> <p>*Cannot be connected to the VL-SW251AZ.</p>
Power supply	AC adaptor (100 – 240 V AC, 50/60 Hz) VL-FAN1BX: 2 pin AC plug VL-FAN1CX: 3 pin AC plug	100 V – 240 V AC, 50/60 Hz VL-V590BX: 2 pin AC plug VL-V590CX: 3 pin AC plug
Power consumption	Standby: Approx. 0.05 A During operation: Approx. 0.08 A	Standby: Approx. 0.02 A During operation: Approx. 0.03 A
Dimensions (H x W x D) (Excluding protruding sections)	Approx. 27 x 101 x 82 mm Approx. 69.5 x 101 x 82 mm (when raising the antenna)	Approx. 358 x 180 x 17.3 mm (Excluding sections embedded into the wall)
Weight	Approx. 85 g	Approx. 2.0 kg
Operating environment	0 °C to 40 °C, Up to 90 % RH (Relative Humidity) non condensing	-10 °C to 50 °C, Up to 90 % RH (Relative Humidity) non condensing
Frequency	2.402 GHz – 2.481 GHz	-
Viewing angle	-	Horizontally: Approx. 87° Vertically: Approx. 66°
Installation method	-	Wall mount (Flush mounted box included)
External material	Flame retardant PS resin	Stainless steel and flame retardant ABS resin

## Wiring schematic diagram



\*1 For VL-MW251BX/VL-MW251CX/VL-MW251SX users:  
The door station is optional (not included).

\*2 Connecting an optional lobby station for apartment complexes

## Wire type and length

• Wire (between the main monitor station and the door station):

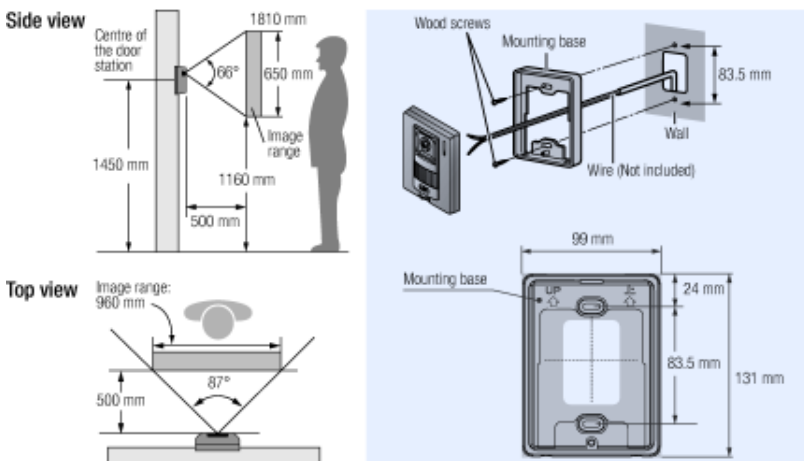
Type	Distance	Loop resistance
General cable CAT-3	Maximum 50 m	10 Ω or lower
General cable 22 AWG (φ 0.65)	Maximum 100 m	

• Wire (between the main monitor station and PBX):

Type: General cable CAT-3 or 22 AWG (φ 0.65)  
Distance: Maximum 100 m

## Installing the Doorphone

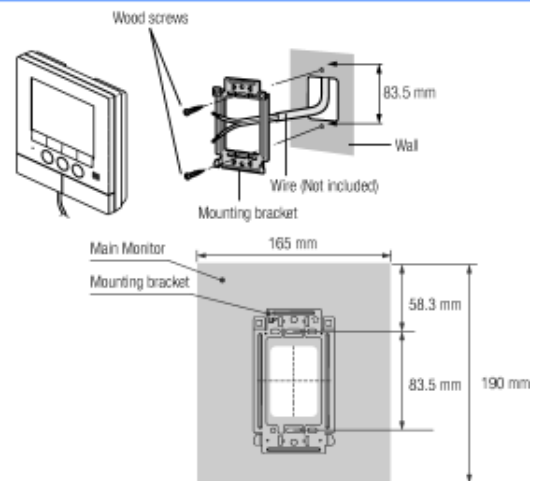
• Example: Installation height is 1450 mm (standard position).



### Important

- Safety Precaution: carefully read the operating instructions and installation manual before using this product.

## Installing the Main Monitor



- The actual product may vary slightly from photograph.
- Weights and dimensions are approximate.
- Design and Specifications are subject to change without notice.
- These products may be subject to export control regulations.