



V2 S.p.A.

Corso Principi di Piemonte, 65/67

12035 RACCONIGI (CN) ITALY

tel. +44 (0)1482 860950 - info@remotecontrolgates.co.uk -

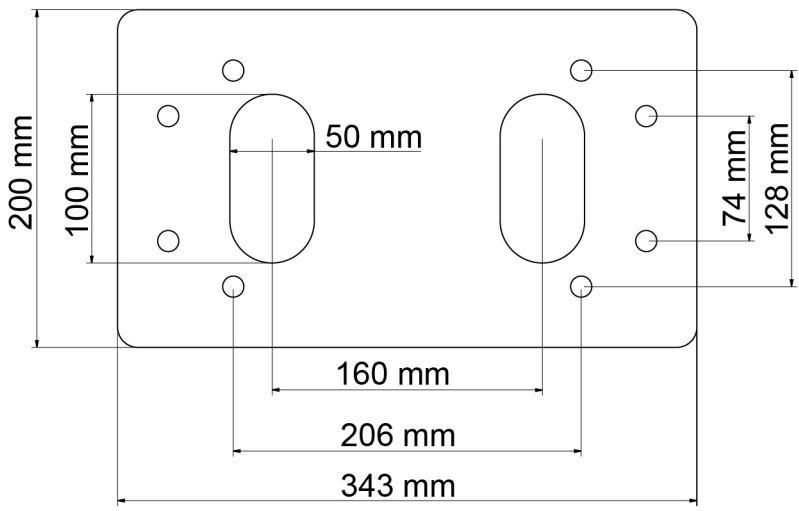
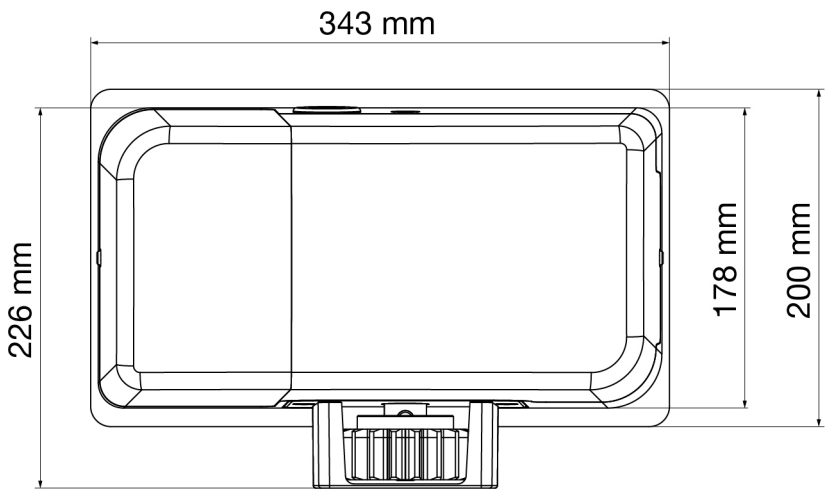
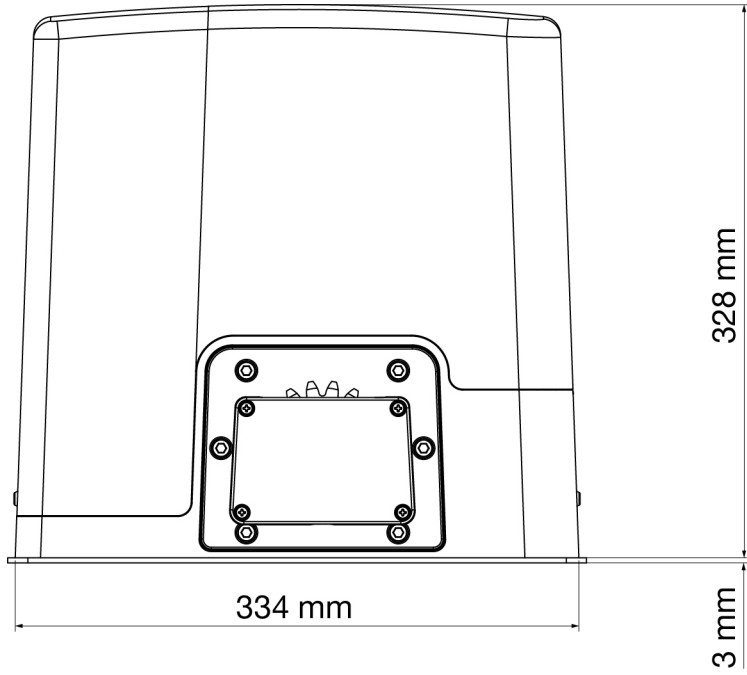
www.remotecontrolgates.co.uk



IL n. 373-1
EDIZ. 20/03/2013

AYROS-230V

- I** **ATTUATORE ELETTROMECCANICO 230V IRREVERSIBILE A CREMAGLIERA PER CANCELLI SCORREVOLI FINO A 1200 KG DI PESO**
- GB** **230V ELECTRO-MECHANICAL IRREVERSIBLE RACK ACTUATOR FOR SLIDING GATES UP TO 1200 KG**
- F** **OPERATEUR ELECTROMECHANIQUE 230V IRREVERSIBLE A CREMAILLERE POUR PORTAILS COULISSANTS JUSQU'A 1200 KG DE POIDS**
- E** **MOTOR ELECTROMECHANICO 230V IRREVERSIBLES A CREMALLERA PARA PUERTAS CORREDERAS HASTA 1200 KG DE PESO**




INDEX

1 - GENERAL SAFETY INFORMATION	28
1.1 - PRELIMINARY CHECKS AND IDENTIFICATION OF THE TYPE TO BE USED	29
1.2 - TECHNICAL ASSISTANCE SERVICE	30
1.3 - EC DECLARATION OF INCORPORATION FOR PARTLY COMPLETED MACHINERY	30
2 - TECHNICAL DATA	31
3 - INSTALLATION OF THE MOTOR	32
3.1 - POSITIONING OF THE MOTOR	32
3.2 - MOUNTING THE RACK	33
3.3 - FIXING OF THE MOTOR	33
3.4 - INSTALLING THE MAGNETIC LIMIT SWITCHES	34
3.5 - MOTOR OVERRIDING SYSTEM	35
3.6 - INSTALLATION LAYOUT	35
4 - CONTROL UNIT	36
4.1 - POWER SUPPLY	36
4.2 - FLASHING LIGHT	36
4.3 - COURTESY LIGHTS	36
4.4 - ACTIVATION INPUTS	36
4.5 - STOP	36
4.6 - PHOTOCELLS	37
4.7 - SAFETY RIBBONS	37
4.8 - EXTERNAL AERIAL	37
4.9 - ELECTRICAL CONNECTION	38
4.10 - PLUG IN RECEIVER	39
4.11 - ADI INTERFACE	39
5 - CONTROL PANEL	40
5.1 - DISPLAY	40
5.2 - USE OF THE KEYS FOR PROGRAMMING	40
6 - ACCESSING THE CONTROL UNIT SETTINGS	41
7 - QUICK CONFIGURATION	41
8 - LOADING THE DEFAULT PARAMETERS	41
9 - INSTALLATION MENU	42
9.1 - AUTOMATIC LEARNING OF THE RUN LIMITS	42
9.2 - MANUAL HANDLING	42
10 - EMERGENCY MAN PRESENT OPERATION	42
11 - READING OF CYCLE COUNTER	43
11.1 - SIGNAL OF SERVICE REQUIRED	43
12 - PROGRAMMING THE CONTROL UNIT	44
13 - OPERATION DEFECTS	49
14 - TESTING AND START-UP	50
15 - MAINTENANCE	50
16 - DISPOSAL OF THE PRODUCT	50

AUTOMATION DEVICE INSTALLERS MANUAL

1 - GENERAL SAFETY INFORMATION

 Prior to proceeding with installation, it is essential the instructions be read in full, since they contain important information regarding safety, installation, use and maintenance.

AUTOMATION MUST BE IMPLEMENTED IN COMPLIANCE WITH THE EUROPEAN REGULATIONS IN FORCE:

EN 60204-1, EN 12445, EN 12453, EN 13241-1, EN 12635

- The installer must provide for a device (es. magnetothermal switch) ensuring the omnipolar sectioning of the equipment from the power supply. The standards require a separation of the contacts of at least 3 mm in each pole (EN 60335-1).
- The plastic case has an IP44 insulation; to connect flexible or rigid pipes, use pipefittings having the same insulation level.
- Installation requires mechanical and electrical skills, therefore it shall be carried out by qualified personnel only, who can issue the Compliance Certificate concerning the whole installation (Machine Directive 2006/42/CEE, Annex IIA).
- Also the automation upstream electric system shall comply with the laws and rules in force and be carried out workmanlike.
- We recommend to make use of an emergency button, to be installed by the automation (connected to the control unit STOP input) so that the gate may be immediately stopped in case of danger.
- For correct installation of the system, we recommend following the instructions issued by UNAC very carefully, which can be consulted at the following web site: www.v2home.com

- This instruction manual is only for qualified technicians, who specialize in installations and automations.
- The contents of this instruction manual do not concern the end user.
- Every programming and/or every maintenance service should be done only by qualified technicians.
- Anything not expressly described in these instructions is prohibited; unforeseen uses may be a source of danger to people and property.
- Do not install the product in explosive environments and atmospheres: the presence of inflammable gases or fumes is a serious safety hazard.
- Do not make any modifications to any part of the automation device, or the accessories connected to it, unless described in this manual.
- Any other modifications will void the warranty on the product.
- The installation steps should be conducted so as to avoid rainy weather, which can expose electronic circuits to dangerous water seepage.
- All operations requiring the casing of the device to be opened should be performed with the control unit disconnected from the electricity supply and with a warning notice displayed, for example: "CAUTION, MAINTENANCE IN PROGRESS".
- Avoid exposing the device close to sources of heat and flame.
- In the event of interventions on automatic or differential breakers or fuses, it is essential that faults be identified and resolved prior to resetting. In the case of faults that cannot be resolved using the information to be found in this manual, consult the V2 customer assistance service.
- V2 declines all responsibility for failure to comply with good construction practice standards in addition to structural deformation of the gate that might occur during use.
- V2 reserves the right to make modifications to the product without prior warning.

- Installation/maintenance personnel should wear individual protection devices (IPDs), such as overalls, safety helmets, boots and gloves.
- The ambient operating temperature should be that indicated in the technical characteristics table.
- The automation device should be shut down immediately in the event of any anomalous or hazardous situation; the fault or malfunction should be immediately reported to the person responsible.
- All safety and hazard warnings on the machinery and equipment should be complied with.
- Electromechanical actuators for gates are not intended to be used by people (including children) with diminished physical, sensory or mental capacity, or lacking in experience or knowledge, unless they are under supervision or have been instructed in use of the actuator by a person responsible for safety.

V2 has the right to modify the product without previous notice; it also declines any responsibility to damage or injury to people or things caused by improper use or wrong installation.

1.1 - PRELIMINARY CHECKS AND IDENTIFICATION OF THE TYPE TO BE USED

The automation device should not be used until installation, as specified in "Testing and start-up", has been performed.

It should be remembered that the device does not compensate for defects caused by improper installation, or poor maintenance, thus, prior to proceeding with installation, ensure that the structure is suitable and meets current standards and, if necessary, perform any structural modifications aimed at the implementation of safety gaps and the protection or segregation of all crushing, shearing and transit zones, and verify that:

- The gate has no friction points, either during closing or opening.
- The gate is well balanced, i.e. there is no tendency to move spontaneously when stopped in any position.
- The position identified for fixing the motor reducer allows easy and safe manual manoeuvring, compatible with the size of the motor reducer itself.
- The support on which the automation device will be fixed is solid and durable.
- The mains power supply to which the automation device is connected has a dedicated safety earthing system and differential breaker with tripping current less than or equal to 30 mA (the breaker gap distance should be greater than or equal to 3 mm).

Warning: The minimum safety level depends on the type of use; please refer to the following outline:

Type of activation commands	Closure use type		
	Group 1 Informed people (use in private area)	Group 2 Informed people (use in public area)	Group 3 Informed people (unlimited use)
Man-present command	A	B	Not possible
Remote control and closure in view (e.g. infrared)	C or E	C or E	C and D or E
Remote control and closure not in view (e.g. radio)	C or E	C and D or E	C and D or E
Automatic control (e.g. timed closure control)	C and D or E	C and D or E	C and D or E

Group 1 - Only a limited number of people are authorised for use, and closure is not in a public area. Examples of this type are gates inside business premises, where the sole users are employees, or a part of them who have been suitably informed.

Group 2 - Only a limited number of people are authorised for use, but in this case, closure is in a public area. An example of this may be a company gate that accesses onto a public street, and which is only used by employees.

Group 3 - Anyone can use the automated closure, which is thus located on public land. For example the access gate to a supermarket or an office, or a hospital.

Protection A - Closure is activated by means of a control button with the person present, i.e. with maintained action.

Protection B - With the person present, closure is activated by a command controlled by means of a key-switch or the like, in order to prevent use by unauthorised persons.

Protection C - Restricts the force of the leaf of the door or gate. I.e., in the case of the gate striking an obstacle, the impact force must fall within a curve established by the regulations.

Protection D - Devices, such as photocells, capable of detecting the presence of people or obstacles. They may be active on just one side or on both sides of the door or gate.

Protection E - Sensitive devices, such as footboards or immaterial barriers, capable of detecting the presence of a person, and installed in such a way that the latter cannot be struck in any way by a moving leaf or panel. These devices should be active within the entire "danger zone" of the gate. The Machinery Directive defines "Danger Zone" as any zone surrounding and/or near machinery where the presence of an exposed person constitutes a risk to the health and safety of that person.

The risk analysis should take into consideration all danger zones for the automation device, which should be appropriately protected and marked.

In a clearly visible area, apply a sign with information identifying the motorised door or gate.

The installer should provide the user with all the information relating to automatic operation, emergency opening and maintenance of the motorised door or gate.

1.2 - TECHNICAL ASSISTANCE SERVICE

For any installation problem please contact our Customer Service at the number +39-0172.812411 operating Monday to Friday from 8:30 to 12:30 and from 14:00 to 18:00.

1.3 - EC DECLARATION OF INCORPORATION FOR PARTLY COMPLETED MACHINERY (DIRECTIVE 2006/42/EC, ANNEX II-B)

The manufacturer V2 S.p.A., headquarters in Corso Principi di Piemonte 65, 12035, Racconigi (CN), Italy

Under its sole responsibility hereby declares that:

the partly completed machinery model(s):

AYROS400D-230V

AYROS800D-230V

AYROS1200D-230V

Identification number and year of manufacturing: typed on nameplate

Description: electromechanical actuator for sliding gates

- is intended to be installed on sliding gates, to create a machine according to the provisions of the Directive 2006/42/EC. The machinery must not be put into service until the final machinery into which it has to be incorporated has been declared in conformity with the provisions of the Directive 2006/42/EC (annex II-A).
- is compliant with the applicable essential safety requirements of the following Directives:
 - Machinery Directive 2006/42/EC (annex I, chapter 1)
 - Low Voltage Directive 2006/95/EC
 - Electromagnetic Compatibility Directive 2004/108/EC
 - Radio Directive 99/05/EC
 - Directive ROHS2 2011/65/CE

The relevant technical documentation is available at the national authorities' request after justifiable request to:
V2 S.p.A., Corso Principi di Piemonte 65, 12035, Racconigi (CN), Italy

The person empowered to draw up the declaration and to provide the technical documentation:

Cosimo De Falco

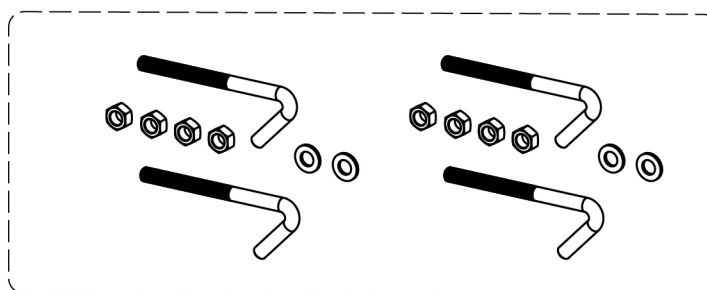
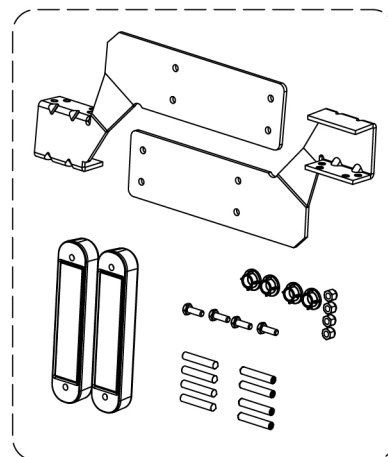
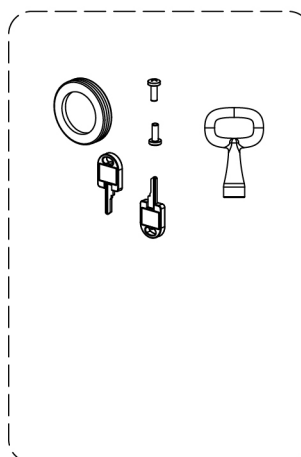
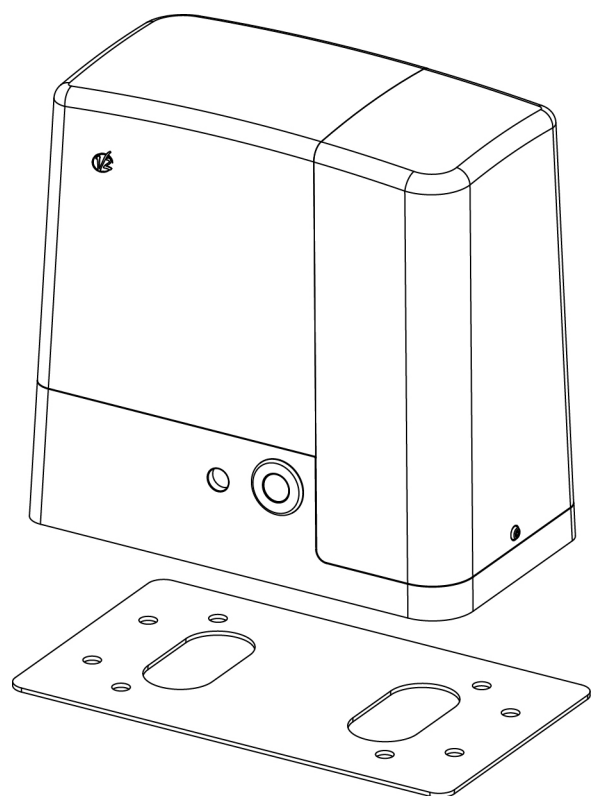
Legal representative of V2 S.p.A.

Racconigi, 05/04/2012



2 - TECHNICAL DATA

		AYROS400D-230V	AYROS800D-230V	AYROS1200D-230V
Gate maximum weight	Kg	400	800	1200
Power supply	VAC / Hz	230 / 50	230 / 50	230 / 50
Maximum power	W	350	500	600
Idling current	A	1,5	1,6	2
Full load current	A	1,7	2	2,6
Gate speed	m/s	0,16	0,16	0,16
Maximum thrust	N	400	670	950
Duty cycle	%	30	30	30
Pinion	-	M4 - Z18	M4 - Z18	M4 - Z18
Working temperature	°C	-20 ÷ +55	-20 ÷ +55	-20 ÷ +55
Motor weight	Kg	14	15	16
Protection degree	IP	44	44	44
Maximum load on 24 Vac accessories	W	10	10	10
Protection fuses	A	10	10	10



3 - INSTALLATION OF THE MOTOR

PREPARATORY STEPS

CAREFULLY OBSERVE EUROPEAN REGULATIONS EN12445 AND EN12453 (WHICH REPLACE UNI 8612).

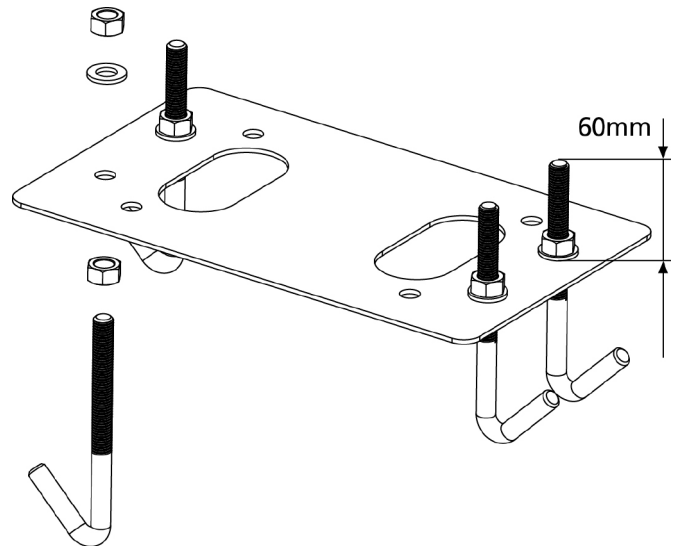
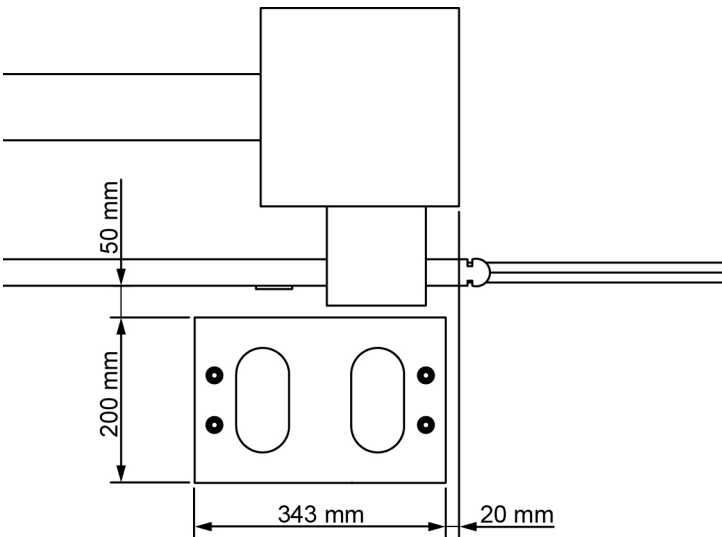
Always check the following:

- Your gate should have a strong and suitable build; no wickets should be present on the sliding gate.
- The sliding gate should not tilt excessively during its entire run.
- The gate should be able to slide freely on its guiding surface without an excessive friction.
- Install both closing and opening limit switches, in order to prevent the gate going off the guiding surface.
- Remove any manual locks.
- Bring power cable ducts near the bottom of the gate (diameter 20 / 30 mm) and of the external devices (photocells, flasher, key selector).

3.1 - POSITIONING OF THE MOTOR

To fix AYROS, follow the instructions below:

1. use the measurements indicated in the drawing for the foundations
2. Arrange for one or two pipes for the passage of electric cables
3. Assemble the 4 clamps on the anchoring plate and fix them with the 4 bolts issued with the motor



4. Pour the concrete and position the anchoring plate

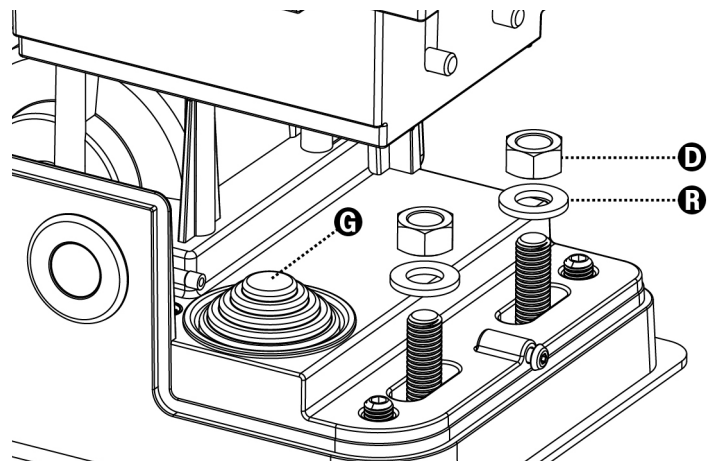
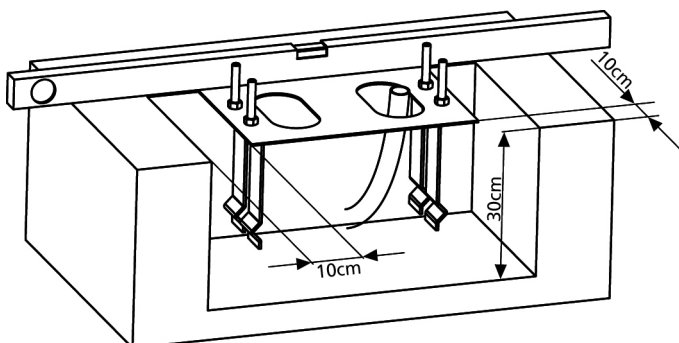


WARNING: check that the plate be on a perfectly levelled surface and parallel to the gate

5. Wait for the complete setting of the concrete
6. Unscrew the bolts fixing the base to the clamps and put the motor on the plate
7. Adjust the 4 grains to make the motor be perfectly levelled
8. Control that the motor is perfectly parallel to the gate, then insert the 4 washers **R** and lightly screw the 4 bolts **D**

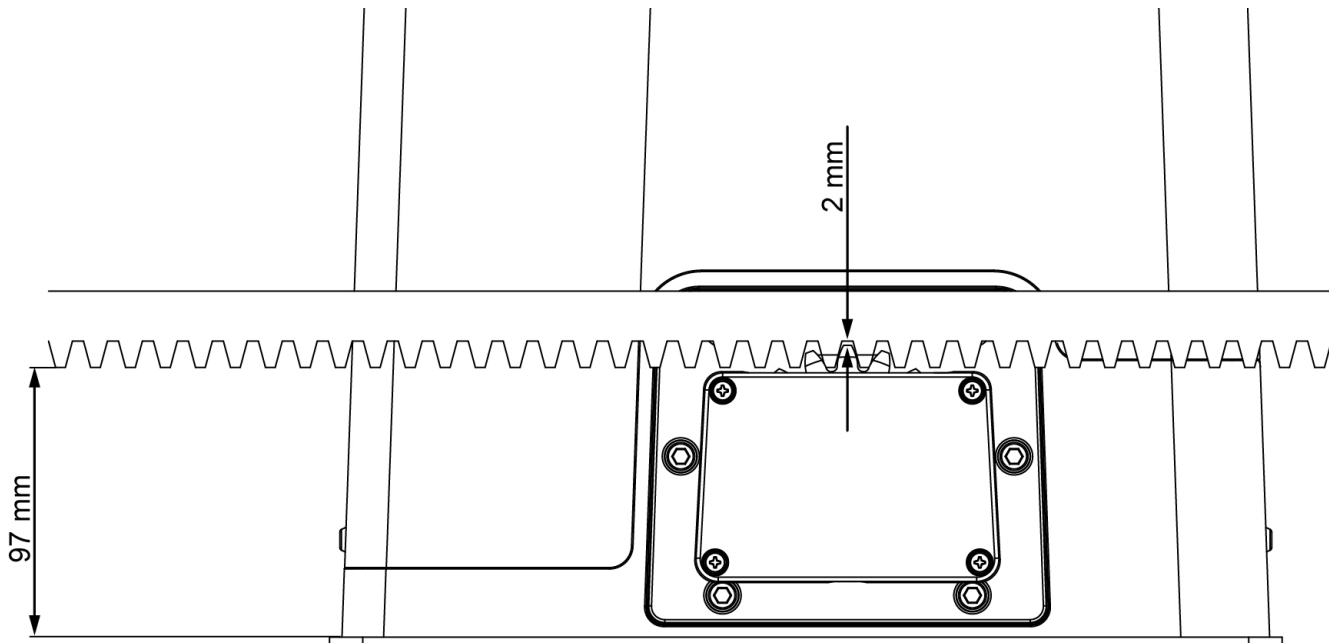


WARNING: Drill holes in the gasket **G** to run the cables to be connected to the control unit.



3.2 - MOUNTING THE RACK

Release the motor and turn the gate completely open. Fix all the rack elements to the gate, making sure that they stand at the same height than the motor pinion. The rack **MUST BE** positioned 1 or 2 mm over the pinion of the motor all the gate length.

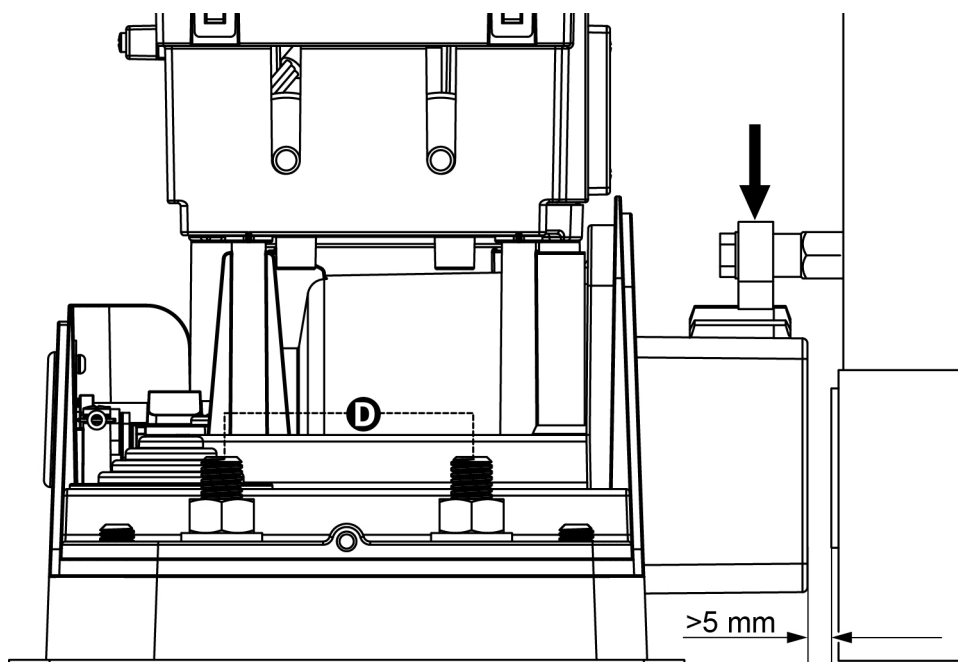


3.3 - FIXING OF THE MOTOR

Check the following points:

1. the motor must be on a levelled surface and perfectly parallel to the gate
2. the distance between pinion and rack must be 1 or 2 mm. If needed, adjust the 4 grains
3. the rack must be trued up with the pinion of the motor
4. the minimum distance between the maximum overall of the gate and the case of the pinion of the motor must be of at least 5 mm

Check the above indicated conditions and proceed fixing the 4 bolts D anchoring the motor to the plate.



3.4 - INSTALLING THE MAGNETIC LIMIT SWITCHES

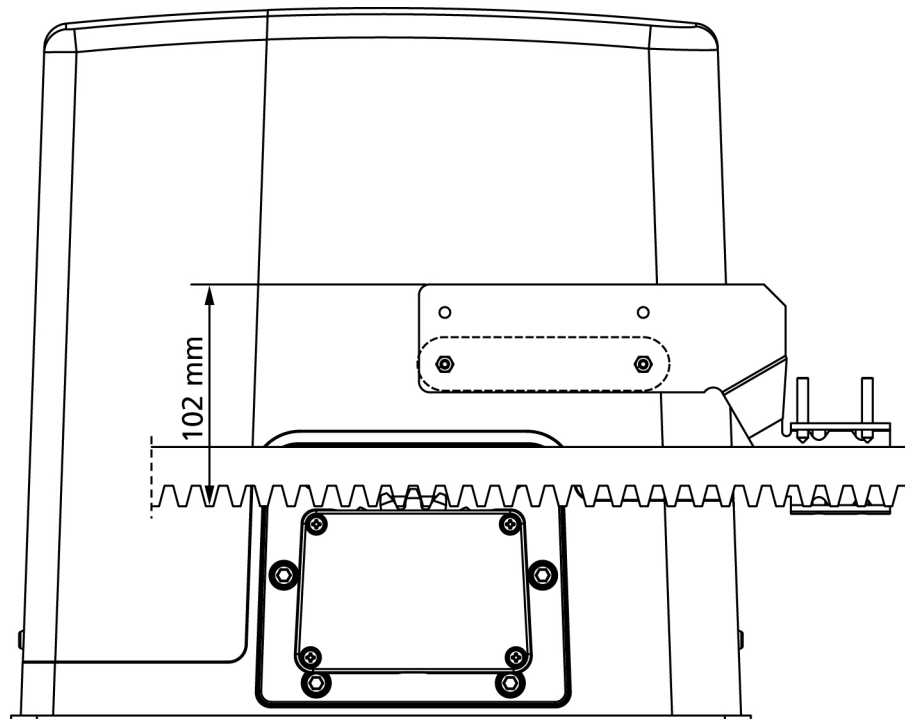
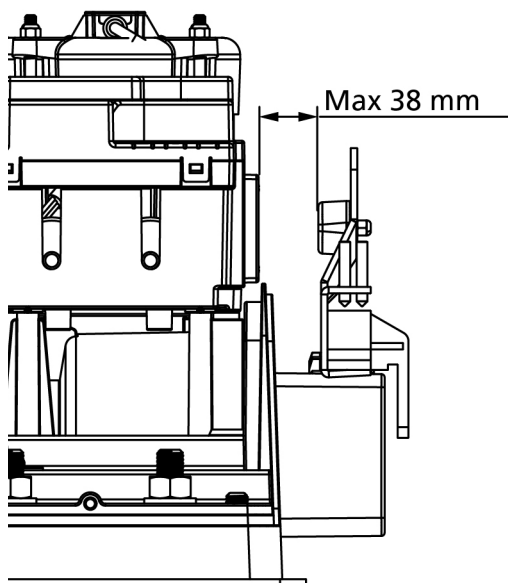
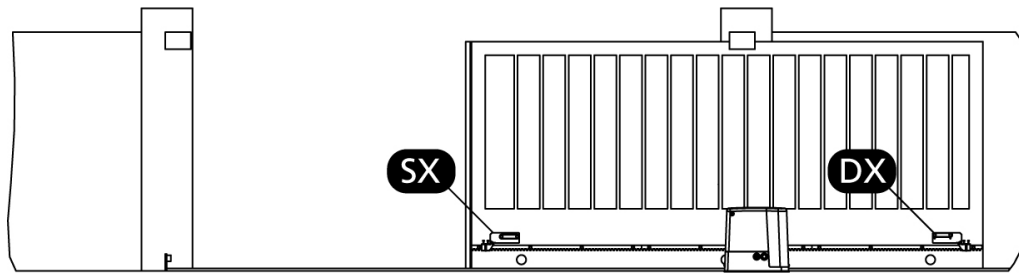
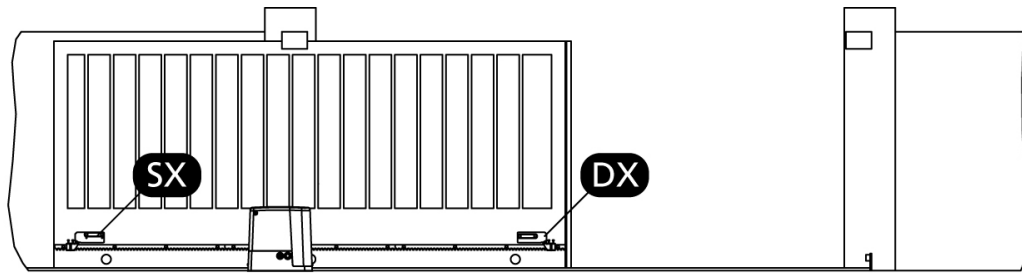
Install the supplied magnet holder on the rack in a way that, in the opening and closing limit positions, the magnet be positioned next to the magnetic sensor behind the hood (as near as possible to the hood).

The supplied magnets have been colored differently in order to be distinguished from each other:

- BLUE MAGNET** = RIGHT LIMIT SWITCH (DX)
- RED MAGNET** = LEFT LIMIT SWITCH (SX)

The type of limit switch (RIGHT/LEFT) depends on the position of the limit switch towards the motor, independently from the opening sense.

⚠ WARNING: Once checked the proper working of the system, we suggest to weld the end-of-stroke brackets on the rack



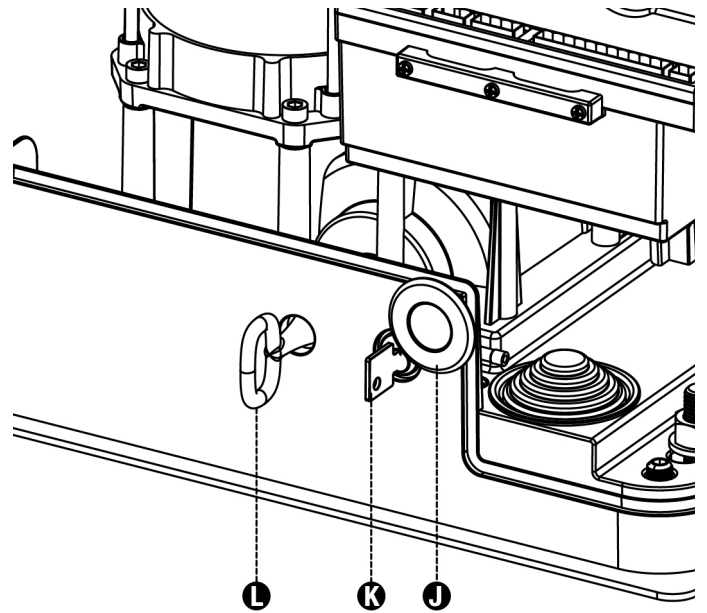
3.5 - MOTOR OVERRIDING SYSTEM

In case of absence of current, the gate can be released by operating on the motor:

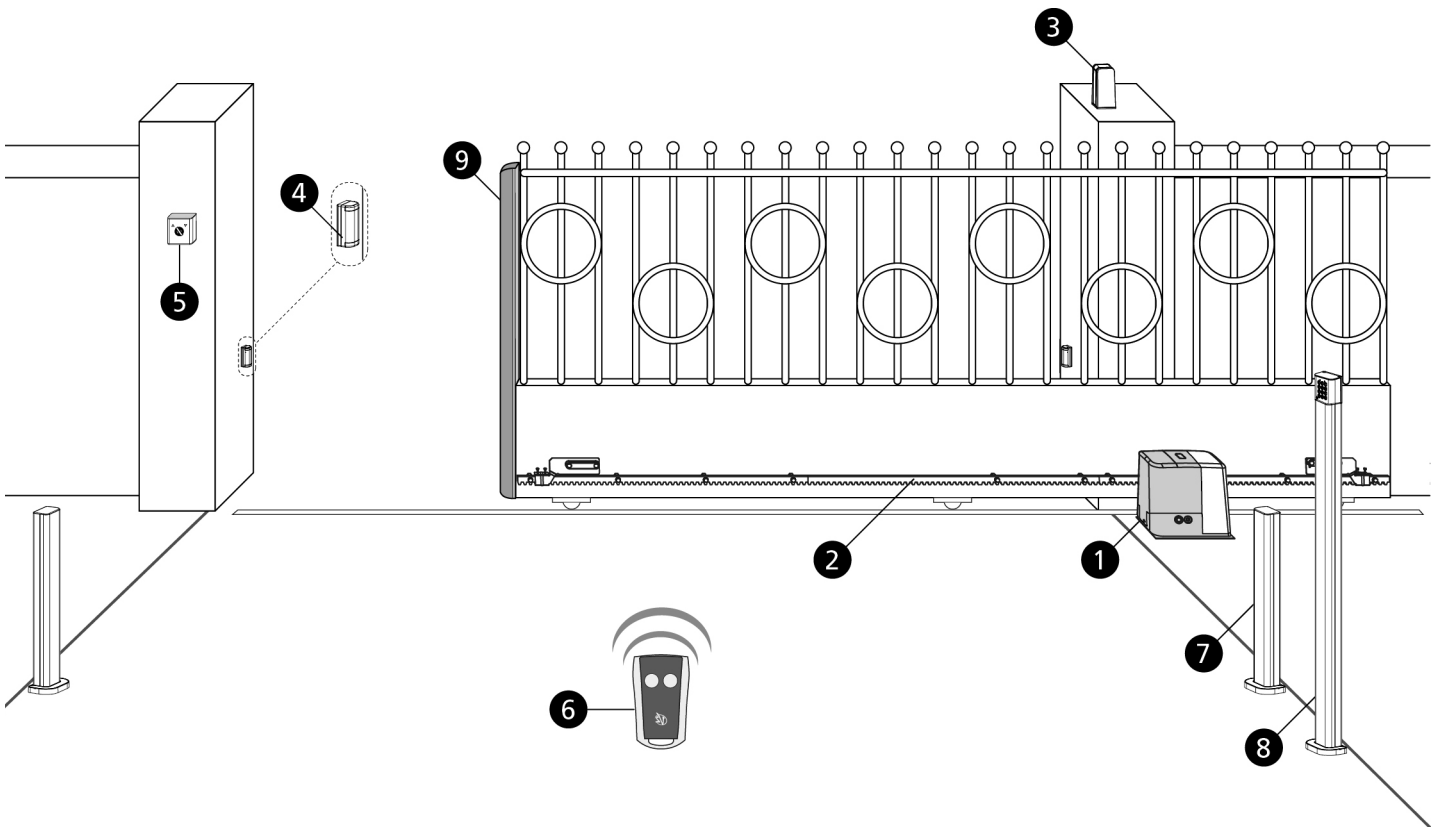
1. Open the hatch of the lock **J** in front of the motor
2. Insert the key **K** in the lock and turn clockwise to open the hatch of the release on the side
3. Insert the key **L** into the hole and turn clockwise until reached the limit switch

To restore the automation, proceed as follows:

1. Turn the key **L** anticlockwise until reached the limit switch, then draw it out
2. Turn the key **K** anticlockwise closing the hatch of the lock, then draw it out
3. Close the lock with the hatch **J**



3.6 - INSTALLATION LAYOUT



1	AYROS actuator	Power supply cable 3 x 1,5 mm ² (T100°C)
2	Rack	-
3	Flashing light with built-in antenna	Power supply 2 x 1 mm ² - antenna RG58
4	Photocells	cable 4 x 0,5 mm ² (RX) - cable 2 x 0,5 mm ² (TX)
5	Key switch	cable 2 x 1 mm ²
6	Transmitter	-
7	Pillar photocells	cable 4 x 0,5 mm ² (RX) - cable 2 x 0,5 mm ² (TX)
8	Pillar-mounted digital radio switch	-
9	Safety edge (EN 12978)	-

4 - CONTROL UNIT

PD19 is provided with a display that, not only makes programming simple, but also allows a continuous monitoring of the input statuses; in addition, thanks to a menu structure, the working schedule and the operation logic can be set easily.

In compliance with the European standards concerning electrical safety and electromagnetic compatibility (EN 60335-1, EN 50081-1 and EN 50082-1) it has been equipped with the low voltage circuit total electric insulation (motors included) from the network voltage.

Other characteristics:

- Obstacle detection function
- Automatic learning of the limit switch position
- Tests for safety devices (photocells, safety ribbons and triac) before each opening.
- Deactivation of safety inputs through the configuration menu: no jumper is required for terminals concerning safety devices that have not been installed, yet. You will only need to disable this function from its relevant menu.
- Synchronized operation of two motors using the SYNCRO optional module



Installation of control unit and safety devices must be carried out with power disconnected.

4.1 - POWER SUPPLY

The control unit must be fed by a 230V - 50Hz electric line, protected by a differential magnetothermal switch complying with the law provisions in force.

Connect power supply cables to terminals **L** and **N** of PD19 control unit.

4.2 - FLASHING LIGHT

PD19 control unit provides for a 230V - 40W Flashing light equipped with intermittence inside.

Connect Flashing light cables to terminals **B1** and **B2** of the control unit.

4.3 - COURTESY LIGHTS

Thanks to the output COURTESY LIGHT the control unit allows the connection of an electric appliance (e.g. courtesy light or garden lights), controlled automatically or by means of the special transmitter key.

The output COURTESY LIGHT is a simple N.O. contact with no power supply.

Connect the cables to terminals **B3** and **B4**.

4.4 - ACTIVATION INPUTS

PD19 control unit is equipped with two activation inputs (START and START P.), whose operation depends on the programmed operation modes (see **Strt** item of programming menu):

- **Standard mode**
START = START (a command will cause the complete opening of the gate)
START P. = PEDESTRIAN START (a command will cause the partial opening of the gate)

- **Open/Close command**
START = OPENING (always controls the gate opening)
START P. = CLOSING (always controls the gate closing)
This is an impulse command, that is to say that an impulse will cause the complete gate opening or closing.

- **Manned operation**
START = OPENING (always controls the gate opening)
START P. = CLOSING (always controls the gate closing)
This is a monostable command, that is to say, the gate will be opened or closed as long as the contact is closed and it will immediately stop as the contact is open

- **Timer mode**
This function allows programming the gate opening time during the day, by making use of an external timer.

START = START (a command will cause the complete opening of the gate)
START P. = PEDESTRIAN START (a command will cause the partial opening of the gate)
The gate stays open (completely or partially) while the contact is closed on input; as soon as the contact is open the pause time count down will start, after which the gate will be closed again.

ATTENTION: Automatic closing must be enabled

NOTE: If the parameter **P.APP = 0** the timer connected to START P. does not cause the opening, but can inhibit the automatic closing at preset times.

In all modes, inputs must be connected to devices having normally open contacts.

Connect cables of device controlling the START input between terminals **M1 (START)** and **M4 (COM)** of the control unit.
Connect cables of device controlling the START P. input between terminals **M2 (START P.)** and **M4 (COM)** of the control unit.

The START input function can also be activated by pressing **↑** key (outside the programming menu) or by means of a remote control stored on channel 1 of MRx receiver.

The START P. input function can also be activated by pressing **↓** key (outside the programming menu) or by means of a remote control stored on channel 2 of MRx receiver.

4.5 - STOP

For a better safety, you can fit a stop switch that will cause the immediate gate stop when activated. This switch must have a normally close contact that will get open in case of operation.

In case the stop switch is operated while the gate is open, the automatic closing function will always be disabled. To close the gate again, you will need a start command.

Connect the stop switch cables between terminal **M3** and **M4** of the control unit.

The STOP switch function can be activated by means of a remote control stored on channel 3 of MRx receiver

4.6 - PHOTOCELLS

The control unit considers two kinds of photocells, depending on the terminal to which they are connected:

- **Photocell 1:** that is to say, photocells installed on the gate inner side, which are active both during the opening and the closing phase. When photocells 1 operate, the control unit stops the gate; as soon as the photocell beam is free, the control unit will open the gate completely.



WARNING: Type 1 photocells must be installed so that they completely cover the opening area of the gate.

- **Photocell 2:** that is to say, photocells installed on the external gate side and which are active during the closing phase only. When photocells 2 operate, the control unit opens the gate immediately, without waiting for release.

PD19 control unit supplies a 24VAC power supply to photocells and it can perform a photocell operation test before starting the gate opening phase. Photocell power terminals are protected by an electronic fuse that stops current in case of overload.

- Connect power supply cables of photocells transmitter between terminals **M11** and **M12** of the control unit.
- Connect power supply cables of photocells receiver between terminals **M10** and **M11** of the control unit.
- Connect receiver output of photocells 1 between terminals **M5** and **M9** of the control unit and receiver output of photocells 2 between terminals **M6** and **M9** of the control unit.

Use outputs having normally closed contact.



ATTENZIONE:

- If several couples of same kind photocells are mounted, their outputs must be connected in series.
- In case of reflection photocells, power supply must be connected to terminals **M11** and **M12** of the control unit to carry out the operation test.

4.7 - SAFETY RIBBONS

The control unit considers two kinds of safety ribbons, depending on the terminal to which they are connected:

- **Type 1** : when type 1 safety ribbons operate during the gate opening phase, the control unit will close the doors for 3 seconds, then it stands still; when type 1 safety ribbons operate during the gate closing phase, the control unit will stand still immediately. The direction of the gate at next command of START or PEDESTRIAN START depends upon the parameter STOP (it inverts or continues the motion). If the input STOP is disabled, the command makes the motion continue in the same direction.
- **Type 2** : when type 2 safety ribbons operate during the gate opening phase, the control unit will stand still immediately; when type 2 safety ribbons operate during the gate closing, the control unit will open the doors for 3 seconds, then it will stand still. The direction of the gate at next command of START or PEDESTRIAN START depends upon the parameter STOP (it inverts or continues the motion). If the input STOP is disabled, the command makes the motion continue in the same direction.

Both the input can manage the classic safety edge with n.c. contact and the conductive rubber safety edge with 8,2 kohm nominal resistance.

Connect type 1 safety ribbons cables between terminals **M7** and **M9** of the control unit.

Connect type 2 safety ribbons cables between terminals **M8** and **M9** of the control unit.

In order to meet the requirements of the EN12978 rules, it is necessary to install safety edges controlled by a control unit continuously checking the proper working. If using control units suited to the test by power outage, connect the power supply cables of the control unit between terminals **M11** and **M12** of the control unit.

Otherwise, connect them between terminals **M10** and **M11**.



WARNING:

- Make use of safety ribbons having outputs with normally close contact.
- Outputs of same kind safety ribbons must be connected in series.

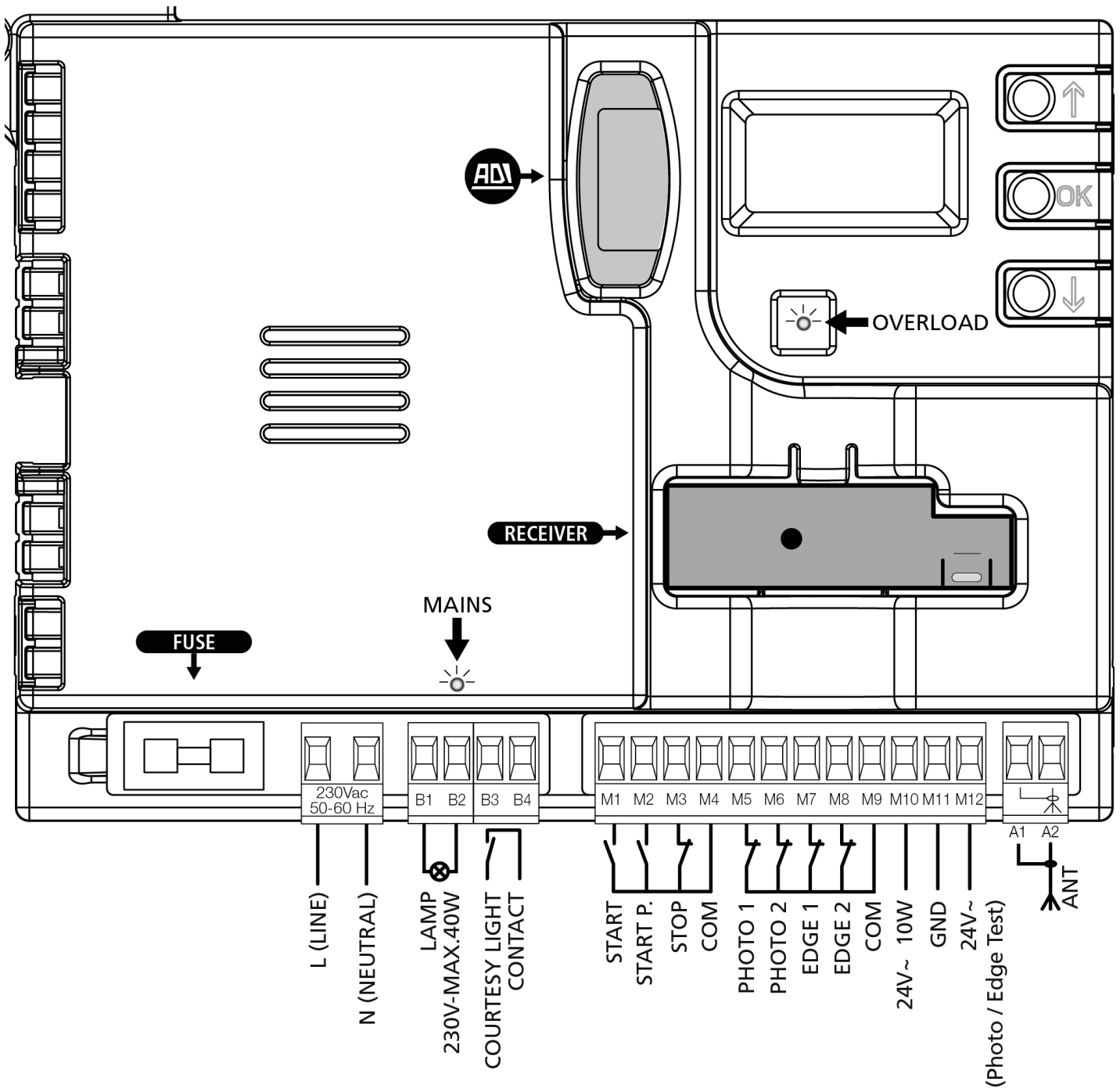
4.8 - EXTERNAL AERIAL

We suggest to use the external aerial (model: ANS433) in order to guarantee the maximal range.

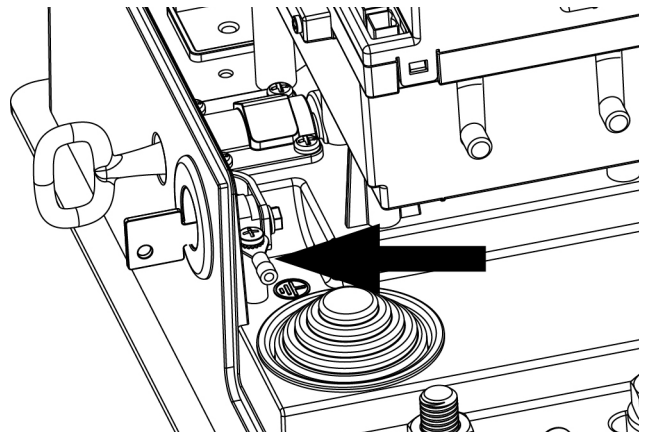
Connect the antenna hot pole to terminal **A2** of the control unit and the braiding to terminal **A1**.

4.9 - ELECTRICAL CONNECTION

ENGLISH



⚠ Connect the motor to ground through the clamp marked by the symbol Use the eyelet provided.



L	Power phase 230 VAC
N	Neutral 230 VAC
B1 - B2	Flashing light 230VAC - 40W
B3 - B3	Courtesy light
M1	START - Open command for connecting traditional devices with N.O. contact
M2	START P. - Pedestrian open command for connecting traditional devices with N.O. contact
M3	STOP command. N.C. contact
M4	Common (-)
M5	Photocell 1. N.C. contact
M6	Photocell 2. N.C. contact
M7	Type 1 edges. N.C. contact
M8	Type 2 edges. N.C. contact
M9	Accessories common (-)
M10	24VAC supply for photocells and other accessories
M11	Accessory power common (-)
M12	24VAC supply - photocell/optical edge TX for functional Test. Connect power supply cables of photocells transmitter between terminals M11 and M12
A1	Antenna shield
A2	Antenna
ADI	ADI module interface
RECEIVER	Plug-in receiver
FUSE	10A
MAINS	It shows that the control unit is power supplied
OVERLOAD	It shows that there is an overload on accessories power supply

4.9 - PLUG IN RECEIVER

PD19 control unit is suitable for plugging in a MRx receiver having a high-sensitivity super-heterodyne architecture.



WARNING: it is necessary to turn off the control unit power before doing the operations mentioned here below. Pay attention to the way you connect the removable modules.

MRx module receiver is provided with 4 channels and each of them is suitable for a command of PD19 control unit:

- CHANNEL 1 → START
- CHANNEL 2 → PEDESTRIAN START
- CHANNEL 3 → STOP
- CHANNEL 4 → COURTESY LIGHT

NOTE: Before programming 4 channels and function logics read carefully the instructions of MRx.

4.10 - ADI INTERFACE

The ADI (Additional Devices Interface) interface of the control unit PD19 allows the connection to V2 optional modules.

Refer to V2 catalogue or to the technical sheets to see which optional modules with ADI interface are available for this control unit.



WARNING: Please read the instructions of each single module to install the optional modules.

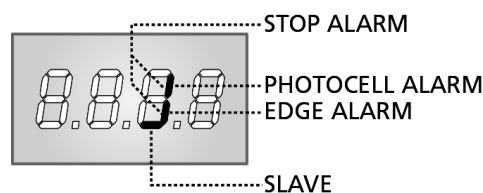
For some devices, it is possible to configure the mode for interfacing with the control unit; in addition, it is necessary to enable the interface so that the control unit can process the signals arriving from the ADI device.

Please refer to the **i.R.d.** programming menu to enable the ADI interface and access the device configuration menu.

ADI devices use the display of the control unit to issue alarms or display the configuration of the control unit.

The device connected to the Adi interface is able to signal to the control unit three alarm signals, which are displayed on the control unit display as follows:

- PHOTOCELL ALARMS - the upper segment comes on: the gate stops moving, when the alarm stops opening restarts.
- EDGE ALARM - the lower segment comes on: inverts motion of the gate for 3 seconds.
- STOP ALARM - both segments start flashing: the gate stops and cannot restart until the alarm stops.
- SLAVE - segment steadily lit: it is used by the optional module SYNCRO to indicate that the control unit is configured as SLAVE.

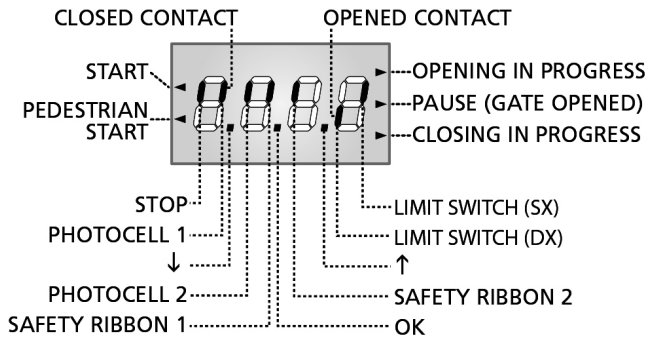


5 - CONTROL PANEL

5.1 - DISPLAY

When power is on, the control unit checks that display correctly operates by switching on all segments for 1.5 sec. **8.8.8.8**. Firmware version, e.g. **P r 1.0**, will be viewed in the following 1.5 sec.

Panel will be viewed upon completion of this test.



The control panel represents the physical status of the terminal board contacts and of the program mode keys: if the upper vertical segment is on, the contact is closed; if the lower vertical segment is on, the contact is open (the above picture shows an instance where the inputs PHOTO1, PHOTO2, EDGE1, EDGE2 and STOP have all been correctly connected).

NOTE: if you are using an ADI module, other segments may appear on the display, see the paragraph dedicated to the "ADI INTERFACE"

Points being among display digits show the status of programming push-buttons: as soon as a push-button is pressed, its relevant point turns on.

The arrows on the left of the display show the state of the start inputs. The arrows light when the related input is closed.

The arrows on the display right side show the gate status:

- The highest arrow turns on when the gate is into its opening phase. If it blinks, it means that the opening has been caused by a safety device (border or obstacle detector).
- The central arrow shows that the gate is on pause. If it blinks, it means that the time countdown for the automatic closing has been activated.
- The lowest arrow blinks when the gate is into its closing phase. If it blinks, it means that the closing has been caused by a safety device (border or obstacle detector).

5.2 - USE OF THE KEYS FOR PROGRAMMING

The control unit functions and times are programmed by means of a special configuration menu, which can be accessed and explored by using the 3 keys, **↑**, **↓** and **OK**, located on the side of the control unit display.

PLEASE NOTE: Outside the configuration menu, pressing the **↑ key activates the START command, pressing the **↓** key activates the PEDESTRIAN START command.**

There are the following three kinds of menu items:

- Function menu
- Time menu
- Value menu

Function menu setup

Function menus allow selecting a function from among a group of available options. When you enter into a function menu, the current active option will be viewed; you can scroll all available options through **↓** and **↑** keys. By pressing the **OK** key, you will activate the option viewed and you will return to the configuration menu.

Time menu setup

Time menus allow setting a function duration. When you enter into a time menu, the current setup value will be viewed; the display mode depends on the current value:

Each time you press **↑** key, current time value increases and each time you press the **↓** key, current time value decreases.

By holding down the **↑** key, you can quickly increase the time value, up to reach the max. value allowed for this item. Vice versa, by holding down the **↓** key, you can quickly decrease the time value down to reach **0.0"**

In some circumstances, setting the value to 0 means that the relevant function is disabled, in this case, 'no' will appear instead of **0.0"**

By pressing on **OK** you will confirm the displayed value and you will return to the configuration menu.

Value menu setup

Value menus are similar to time menus; however, the setup value can be any number.

By holding down **↑** or **↓** keys, the value will increase or decrease slowly.

By pressing on **OK** you will confirm the displayed value and you will return to the configuration menu.

The main programming menus of the control unit are shown in the next pages.

To go through the menus use the three keys "**↑**, **↓** and **OK**" according to the following chart:

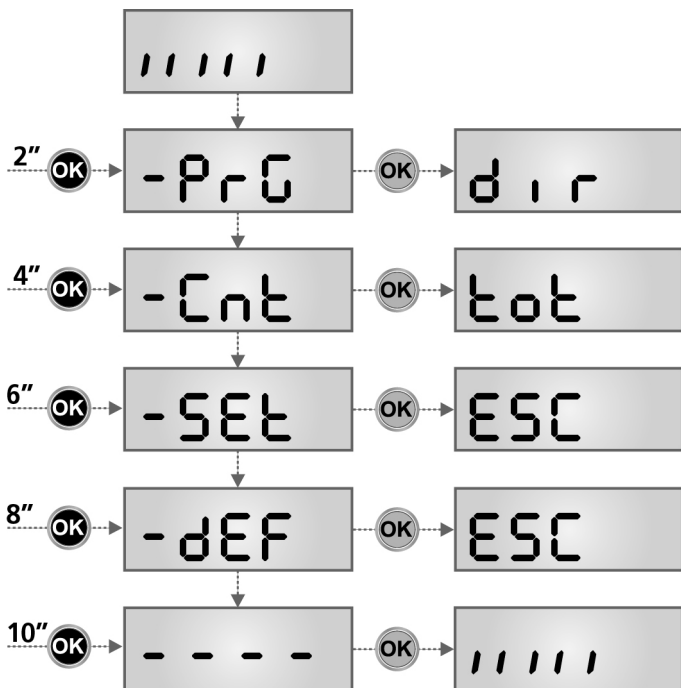
	Press and release the push-button OK
	Keep pressed the push-button OK for 2 seconds
	Release the push-button OK
	Press and release the push-button ↑
	Press and release the push-button ↓

6 - ACCESSING THE CONTROL UNIT SETTINGS

1. Press and hold the **OK** key until the display shows the menu desired
2. Release the **OK** key: the display will show the first item in the sub-menu

- PrG Programming the control unit (chapter 12)
- Cnt Cycle counter (chapter 11)
- SEt Installation menu (chapter 9)
- dEF Loading the default parameters (chapter 9)

⚠ WARNING: in case no operation is carried out for more than one minute, the control unit exits from the programming mode without saving any of your setups and changes, which will get lost.



7 - QUICK CONFIGURATION

This paragraph concerns a quick procedure to set the control unit and set it at work immediately.

We recommend following these instructions, in order to check quickly the correct operation of control unit, motor and accessories, and then changing the configuration in case of any non-satisfactory parameter.

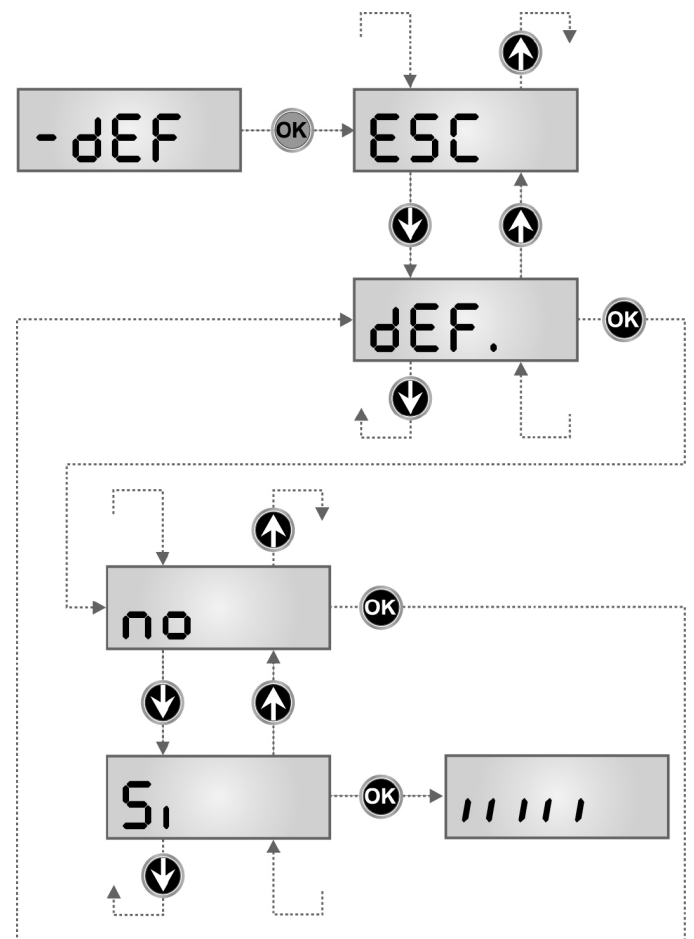
1. Call up the default configuration: see chapter 8
2. Set items
dir - SEtP - Fot1 - Fot2 - CoS1 - CoS2
according to the safety devices installed on the gate
For the position of the item menus inside the main menu and for the options related to each item menu, refer to the chapter 12.
3. Start the self-learning cycle: see chapter 9-9.1 (AUTOMATIC LEARNING OF THE RUN LIMITS)
4. Check that the automation work properly and if necessary modify the configuration of the desired parameters.

8 - LOADING THE DEFAULT PARAMETERS

If necessary, it is possible to restore all parameters to their standard or default values (see the final summary table).

⚠ PLEASE NOTE: This procedure results in the loss of all customised parameters.

1. Press and hold the **OK** key until the display shows **-dEF**
2. Release the **OK** key: the display shows **ESC** (only press the **OK** key if it is desired to exit this menu)
3. Press the **↓** key: the display shows **dEF**
4. Press the **OK** key: the display shows **no**
5. Press the **↓** key: the display shows **S1**
6. Press the **OK** key: all parameters are overwritten with their default values (see Chapter 12), the control unit exits programming mode and the display shows the control panel.



9 - INSTALLATION MENU (Set)

This menu allows you to perform the movements of the gate needed during installation.

The automatic learning procedure enables to save run limits based on data collected by the encoder.

The manual handling procedure allows to control the gate in hold to run mode in special cases such as during installation/maintenance or a malfunction of the photocells or edges

⚠ CAUTION: ATTENTION: before proceeding, make sure to position the mechanical stops and the limit sensors correctly.

1. Press and hold the **OK** key until the display shows **-SEt**
2. Release the **OK** key: the display shows **ESC** (only press the **OK** key if it is desired to exit this menu)
3. Use the keys **↑** and **↓** to select the menu **Mou** to activate manual handling or **APPr** to start the automatic learning procedure of the run limits.
4. Press **OK** to start the selected procedure

9.1 - AUTOMATIC LEARNING OF THE RUN LIMITS

⚠ CAUTION: to perform the self-learning procedure it is necessary to disable the ADI interface by means of the menu i.Adi . If some safeties are controlled by means of the ADI module, they will not be active during the self-learning

NOTE: during the self-learning the slowdown in the limit switch area is not active. To slowdown the motor press the button **↓** of the control unit or activate the command **START P.** (cabled or radio) when the gate comes near to the limit switch.

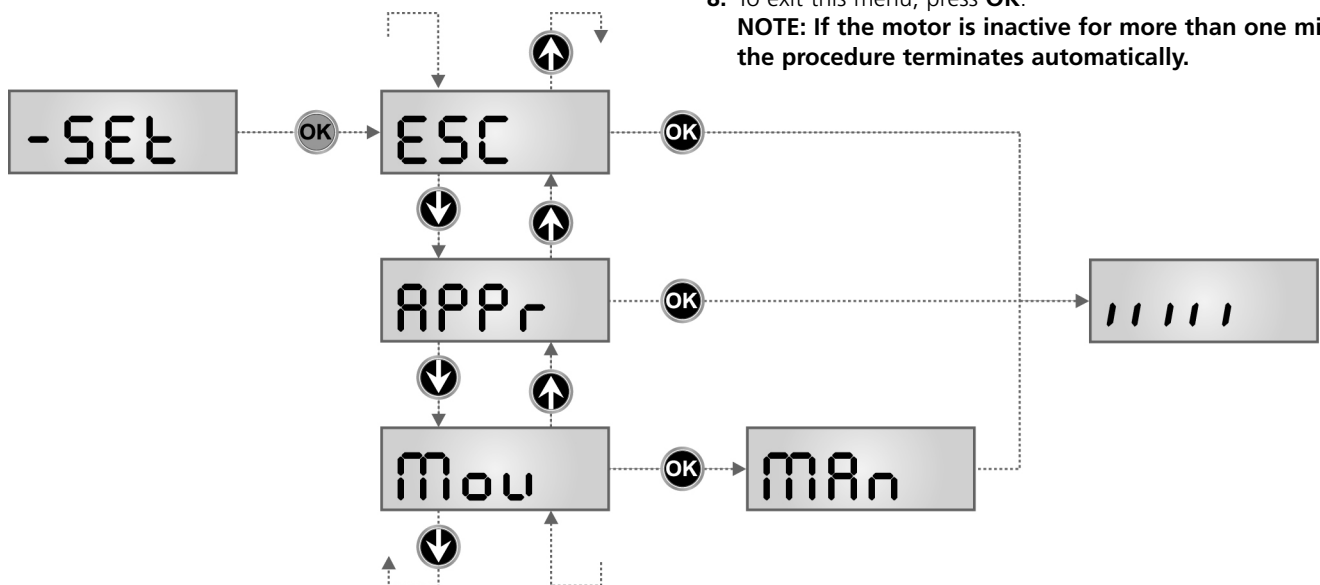
5. The display shows the control panel and the automatic learning procedure of the run limits starts.
 - 5.1 Gate closing is activated until the closing limit switch is reached.
 - 5.2 Gate opening is activated until the opening limit switch is reached.
 - 5.3 Gate closing is activated until the closing limit switch is reached.
6. At the end of the automatic learning procedure, the control unit automatically exits this menu and returns to normal operation.

9.2 - MANUAL HANDLING

⚠ WARNING: when this procedure is activated the safeties are not active.

5. The display shows **MA n**
6. Press and hold the **↑** key to open the gate or the **↓** button to close the gate
7. Release the button to stop the gate
8. To exit this menu, press **OK**.

NOTE: If the motor is inactive for more than one minute the procedure terminates automatically.



10 - EMERGENCY MAN PRESENT OPERATION

This operational mode can be used to move the gate in **Man Present mode** in particular cases, such as installation/maintenance or in the case of malfunctioning of photocell, edge, limit switches or encoder.

To start the "emergency" dead man operating mode activate the start command (START) for 3 seconds.

Note: if the **SEt** parameter is set as **SE n**, the Start command (from the terminal block or remote control) moves the gate in the open and closed directions alternatively (unlike the normal Man Present mode).
Emergency man present mode ends after 10 seconds of the gate not moving.

11 - READING OF CYCLE COUNTER

PD19 control unit counts the completed opening cycles of the gate and, if requested, it shows that service is required after a fixed number of cycles.

There are two counters available:

- A totalizing counter for completed opening cycles that cannot be zeroed (option **tot** of item **Cont**)
- A downward counter for the number of cycles before the next request for service (option **SERu** of item **Cont**).
This counter can be programmed according to the desired value.

The scheme hereafter shows how to read the totalizing counter, how to read the number of cycles before the next service is required as well as how to program the number of cycles before the next request for service (as for the example shown, the control unit completed no. 12451 cycles and there are no. 1300 cycles before the next service request).

Area 1 is the reading of the total number of completed cycles; through **↑** and **↓** keys, you can alternate the display of thousands or units.

Area 2 is the reading of the number of cycles before the next request for service: its value is rounded down to the hundreds.

Area 3 is the setup of this latter counter; if you press once **↑** or **↓** key, the current counter value will be rounded up or down to thousands, any following pressure will have the setup be increased or decreased of 1000 units. The previous displayed count will get lost.

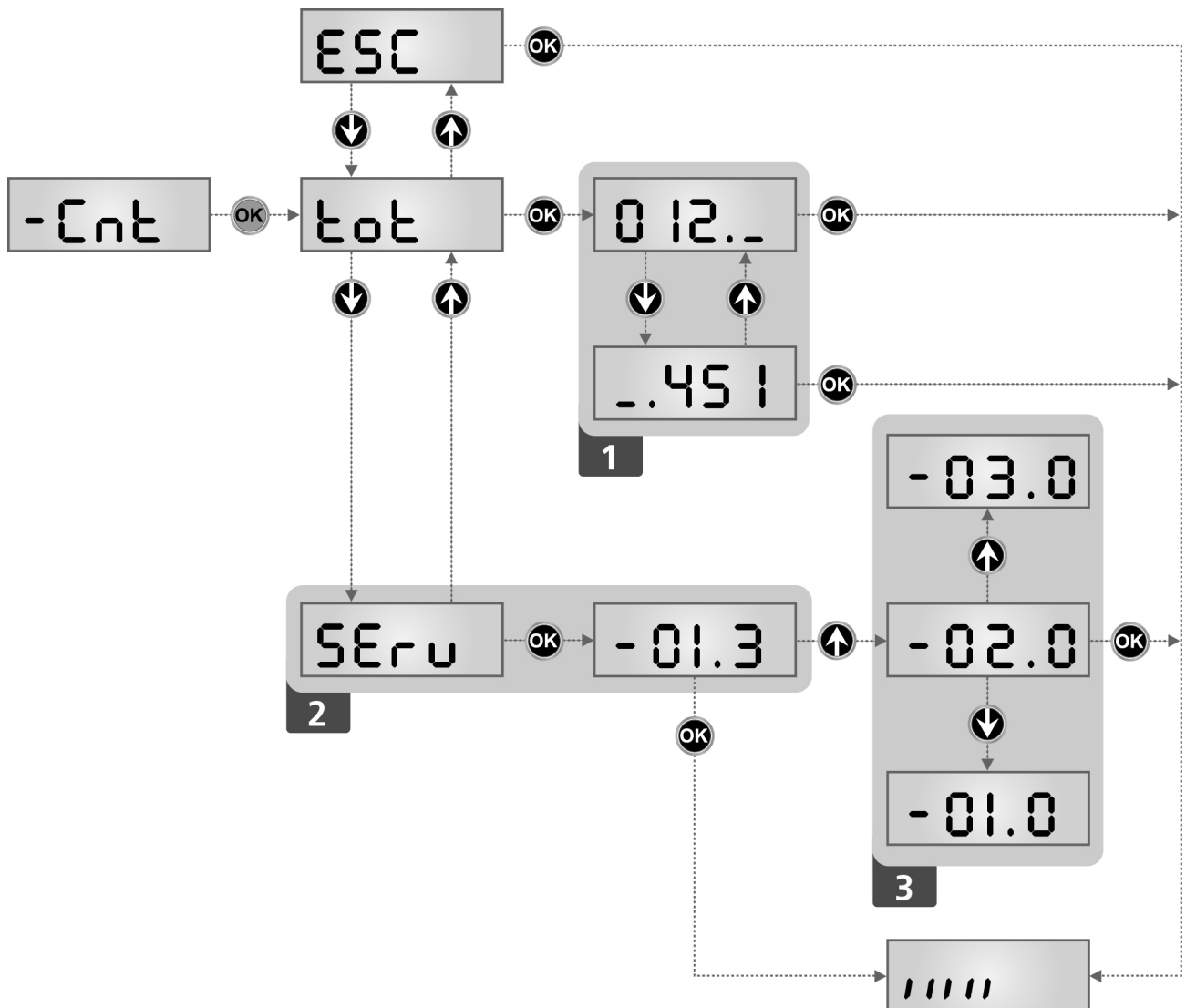
11.1 - SIGNAL OF SERVICE REQUIRED

As soon as the counter of cycles before the next request for service is zero, the control unit shows the request for service through an additional 5-second pre-blinking.

This signal will be repeated at each opening cycle, until the installer enters into the counter reading and setup menu, and possibly programs the number of cycles after which the next service will be requested.

In case no new value is setup (that is to say that the counter value is left at zero), the signalling function for the service request will be disabled and no signal will be repeated anymore.

⚠ WARNING: service operations shall be carried out by qualified staff only.



12 - PROGRAMMING THE CONTROL UNIT

The configuration menu **-PrG** consists in a list of configurable items; the display shows the selected item.

By pressing **↓**, you will pass to the next item; by pressing **↑**, you will return to the previous item.

By pressing **OK**, you can view the current value of selected item and possibly change it.

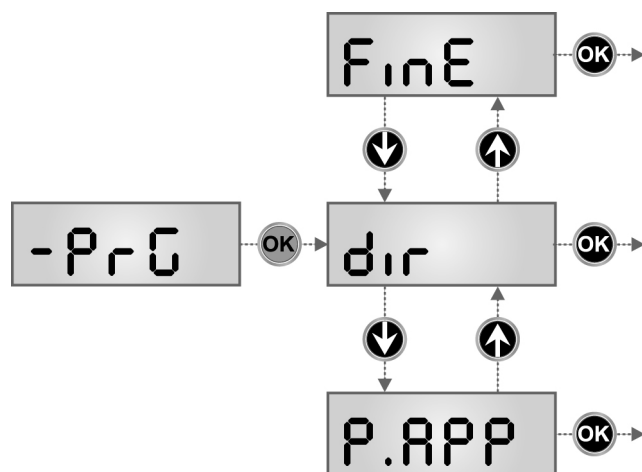
The last menu item (**FinE**) allows storing the carried out changes and going back to the control unit normal operation.

You must exit from programming mode through this menu item if you do not want to lose your configuration.

⚠ WARNING: in case no operation is carried out for more than one minute, the control unit exits from the programming mode without saving any of your setups and changes, which will get lost.

By holding down the **↓** or **↑** keys, configuration menu items will scroll fast, until item **FinE** is viewed.

In this way, you can quickly reach either the top or bottom of the list.



DISPLAY	DATA	FUNCTION	DEFAULT	MEMO
dir		Gate direction (the direction you see from the inside)	dH	
	dH	The gate opens rightwards		
	SH	The gate opens leftwards		
P.APP		Partial opening	25	
	0 - 100	The percentage of the path the gate performs in the case of opening using the Pedestrian Start command		
t.PrE		Pre-blinking time	1.0"	
	0.5" - 1'00	Before any gate movement, blinker will be activated for t.PrE time, to warn about the incoming motion (adjustable time from 0.5" to 1'00)		
	no	Function deactivated		
t.PCh		Different closing pre-flashing time	no	
	0.5" - 1'00	If this parameter has a value assigned to it, the control unit will activate pre-flashing prior to closure for the length of time set in this menu (adjustable time from 0.5" to 1'00)		
	no	The closing pre-flashing time corresponds to t.PrE		
PoE		Motor power	80	
	35 - 100	The displayed value is the percentage of max. motor power		
SPUn		Start off	Si	
	Si - no	If this function is activated, for the first 2 seconds of motion of each door, the control unit will ignore PoE value and it will give motor the maximum power command in order to overcome the gate inertia		
rAm		Starting ramp	4	
	0 - 6	In order not to stress too much the motor, when the motion starts the power is gradually increased, until reached the set value or 100% if the take-off is enabled. Higher is the set value, longer the length of time of the ramp, that is the time necessary to reach the value of nominal power.		

DISPLAY	DATA	FUNCTION	DEFAULT	MEMO
FrEn		Brake Function	S	
	1 - 10	When a sliding motor is used with a very heavy gate, because of the inertia, the gate does not block immediately when stopped and its motion can last for another 10 cm, compromising the working of the safety devices. This menu allows enabling the brake function thanks to which it is possible to block immediately the gate after a control or the intervention of a safety device. The brake power is proportional to the set value WARNING: each braking entails a mechanical stress to the components of the motor. We suggest to set the minimum value with which there is a satisfactory stop distance.		
	0	Function deactivated		
rA.AP		Slow down in opening	15	
	0 - 100	This menu allows regulating the percentage of the ride/drive that is carried out at reduced speed during the last opening stretch		
rA.Ch		Slow down in closing	15	
	0 - 100	This menu allows regulating the percentage of the ride/drive that is carried out at reduced speed during the last closing stretch		
St.AP		Start command during the opening phase This menu allows fixing the control unit conduct in case it receives a Start command during the opening phase	PAUS	
	PAUS	The gate stops and goes to pause		
	ChU	The gate immediately starts closing		
	no	The gate go on with the opening phase (command is ignored)		
St.Ch		Start command during the closing phase This menu allows fixing the control unit conduct in case it receives a Start command during the closing phase	StoP	
	StoP	The gate stops and its cycle is considered as finished		
	APEr	The gate opens again		
St.PR		Start command during the pause This menu allows fixing the control unit conduct in case it receives a Start command when the gate is open during its pause phase	ChU	
	ChU	The gate starts closing		
	no	Command is ignored		
	PAUS	The pause time is reset (Ch.RU)		
SP.AP		Pedestrian Start during the partial opening phase This menu allows fixing the control unit conduct in case it receives a Pedestrian Start command during the partial opening phase. WARNING: a Start command in any phase of partial opening will cause the total opening; the Start Pedestrian command is always ignored during a total opening	PAUS	
	PAUS	The gate stops and goes to pause		
	ChU	The gate immediately starts closing		
	no	The gate goes on with the opening phase (command is ignored)		

DISPLAY	DATA	FUNCTION	DEFAULT	MEMO
Ch.RU		Automatic closing In automatic mode, the control unit automatically recloses the gate on expiry of the time limit set in this menu	no	
	no	Function deactivated		
	0.5" - 20.0'	The gate recloses after the set time (adjustable time from 0,5" to 20.0')		
Ch.br		Closure after passage During the automatic operation, the pause count down starts from the set up value each time a photocell operates during the pause. If the photocell operates during the opening time, this time will be immediately stored as pause time. This function allows having a fast closing as soon as transit through the gate is completed, therefore, a time shorter than Ch.RU is generally used	no	
	no	Function deactivated		
	0.5" - 20.0'	The gate recloses after the set time (adjustable time from 0,5" to 20.0')		
PA.br		Pause after transit	no	
	no - S _i	In order to let the gate open for the shortest possible time, it is possible to stop the gate once the passage before the photocells is detected. If the automatic working is enabled, the time of the pause is Ch.br		
LUC _i		Courtesy lights This menu allows setting the automatic operating of the courtesy lights during the opening cycle of the gate		
	t.LUC	Timed function (from 0 to 20')	1'00	
	no	Function deactivated		
	CiCL	On for the entire duration of the cycle		
AUS		Auxiliary channel This menu allows setting the operating of the relay of the lighting of the courtesy lights by means of a remote control stored on the channel 4 of the receiver	Mon	
	t.M	Timed function (from 0 to 20')		
	b,St	Bistable operation		
	Mon	Monostable operation		
LP.PA		Blinker during pause time	no	
	no	Function deactivated		
	S _i	The blinker will be on during the pause time too (gate open with automatic closure active).		

DISPLAY	DATA	FUNCTION	DEFAULT	MEMO
StEt		Activation inputs function This menu allows selecting input operation modes (see chapter 4.4)	StAn	
	StAn	Standard mode		
	no	Start inputs from terminal board are disabled. Radio inputs operate in standard mode StAn		
	RP.Ch	Open/Close command		
	PrES	Manned operation		
	oroL	Timer mode		
StoP		Stop Input	no	
	no	The input STOP is not available (ignored by the control unit)		
	ProS	The input STOP stops the gate: pressing the command START the gate continues the motion		
	inuE	The command STOP stops the gate: at the next START the gate starts moving in the opposite direction		
Fot1		Photocell 1 input This menu allows enabling the input for type 1 photocells, that is to say, photocells active both during the opening and closing phase	no	
	no	Input disabled (ignored by the control unit)		
	RP.Ch	Input enabled		
Fot2		Photocell 2 input This menu allows enabling the input for type 2 photocells, that is to say, photocells non active during the opening phase	CFCh	
	CFCh	nput enabled even at standstill gate too: the opening movement does not start if photocell is interrupte		
	Ch	Input enabled for the closing phase only WARNING: if you select this option, you must disable photocell test		
	no	Input disabled (ignored by the control unit)		
Ft.tE		Test of the photocells	no	
	no - Si	In order to achieve a safer operation for the user, the unit performs a photocells operational test, before a normal working cycle. If no operational faults are found, the gate starts moving. Otherwise, it will stand still and the flashing light will stay onfor 5 sec. The whole test cycle lasts less than one second.		

DISPLAY	DATA	FUNCTION	DEFAULT	MEMO
C0S1		Safety ribbon 1 input This menu allows enabling the input for type 1 safety ribbon, that is to say, fixed ribbons	no	
	no	Input disabled (ignored by the control unit)		
	RP	Input enabled during the opening and disabled during the closure		
	RPCh	Input enabled in opening and closure		
C0S2		Safety ribbon 2 input This menu allows enabling the input for type 2 safety ribbon, that is to say mobile ribbons	no	
	no	Input disabled (ignored by the control unit)		
	RPCh	Input enabled in opening and closure		
	Ch	Input enabled during closure and disabled during opening		
C0tE		Test of the safety edges This menu allows setting the method of control of the safety edges working	no	
	no	Test disabled		
	rES1	Test enabled for conductive rubber safety edges		
	Foto	Test enabled for optical safety edges		
S.EnC		Encoder sensitivity	0	
	0 - 7	This menu allows the sensitivity of the rate sensor to be adjusted. A decreased rate below the set threshold indicates the presence of an obstacle. If set to 0 the obstacle is only detected when the gate is stopped. When the sensor intervenes, the gate stops and is operated in the reverse direction for 3 seconds to remove the obstacle. The next start command restarts the movement in the previous direction.		
i.Adi		Enabling the ADI device This menu makes it possible to enable operation of the device connected to the ADI connector. PLEASE NOTE: selecting S1 and pressing MENU accesses the configuration menu for the device connected to the ADI connector. This menu is managed by the device itself and is different for each device. Please refer to the manual for the device. If the S1 option is selected, but no device is connected, the display will show a series of dotted lines. Exiting the ADI device configuration menu returns to the i.Adi option	no	
	no	Interface disabled, any signals will be ignored		
	S1	Interface enabled		
FinE		End of Programming	no	
	no - S1	This menu allows to finish the programming (both default and personalized) saving the modified data into memory		

13 - OPERATION DEFECTS

This paragraph shows some possible operation defects, along with their cause and applicable remedy.

MAINS led does not switch on

It means that there is no voltage on PD19 control unit card.

1. Before acting on the control unit, disconnect through the disconnecting switch on the power line and remove the power supply terminal.
2. Be sure that there is no voltage break upstream the control unit.
3. Check whether the fuse is burnt-out, if so replace it with same value.

OVERLOAD led is on

It means that there is an overload on accessory power supply.

1. Remove the extractable part containing terminals **M1** to **M12**. OVERLOAD led will switch off.
2. Remove the overload cause.
3. Reinsert the terminal board extractable part and check that this led is not on again.

Too long pre-blinking

When a Start command is given and the blinker switches on immediately but the gate is late in opening, it means that the setup cycle count down expired and the control unit shows that service is required.

Error 1

The following writing appears on display when you exit from programming **Err1**

It means that changed data could not be stored.
This kind of defect has no remedy and the control unit must be sent to V2 S.p.A. for repair.

Error 2

When a Start command is given and the gate does not open and the following writing appears on display **Err2**

It means that triac test failed.
Before sending the control unit to V2 S.p.A. for repair, be sure that motors have been properly connected.

Error 3

When a Start command is given and the gate does not open and the following writing appears on display **Err3**

It means that the photocell test failed.

1. Be sure that no obstacle interrupted the photocell beam when the Start command was given.
2. Be sure that photocells, as enabled by their relevant menus, have been installed actually.
3. If you have photocells 2, be sure that **Fot2** menu item is on **C.F.Ch.**
4. Be sure that photocells are powered and working; when you interrupt their beam, you should hear the relay tripping.

Error 4

When a Start command is given and the gate does not open (or does a partial opening) and the following writing appears on display **Err4**

This means there is a problem with the limit switch.
Check the direction of the magnets, if they are backwards, they should be removed and inverted.

If the magnets are installed correctly, it means that the limit switch sensor is damaged or the cabling connecting the sensor to the central control unit is broken/damaged.
Change the end of stroke sensor or the broken wiring.
If the error persists send the control unit to V2 S.p.A. for repair.

Error 5

Once given a start control, the gate does not open and the display shows **Err5**

It means that the test of the safety edges failed.
Check that the menu of the test of safety edges (**C.o.tE**) have been set correctly.
Check that the safety edges enabled from the menu are installed.

Error 6

During the manoeuvre the motor stops and the display shows **Err6**

It means that the triac verification system does not work.
If the problem persists, the control unit must be sent to V2 SpA for repair.

Error 7

When given a start control the gate does not open and the display shows **Err7**

This indicates an error in the encoders' operation.
Encoder malfunction or broken connection.

Error 8

When executing a self-learning function, one of the following conditions occurs:

1. the control is refused and the display shows **Err8**
It means that the setting of the control unit is not compatible with the requested function.
In order to carry out self-learning, the Start inputs must be enabled in standard mode (**StE** menu set to **StEn**) and the ADI interface must be disabled (**i.Adi** menu set to **no**).
2. The procedure stops and the displays shows **Err8**
It means that a safety device has tripped.

Error 9

When you are trying to change the control unit setups and the following writing appears on display **Err9**

It means that programming was locked by means of the programming lock key CL1+ (code 161213).
To change the settings it is necessary to insert in the connector of the ADI interface the same key used to activate the programming lock, and unlock the device

14 - TESTING AND START-UP

In implementing the automation device, these are the most important steps for guaranteeing maximum safety.

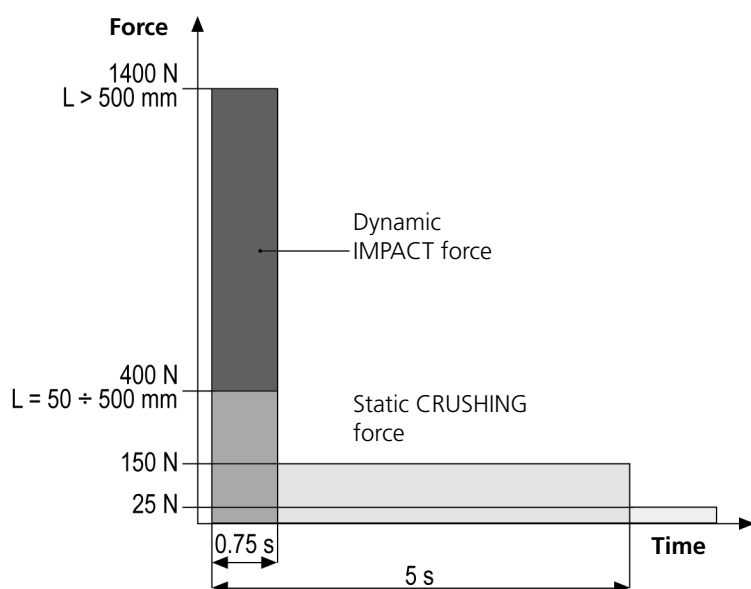
V2 recommends the application of the following technical standards:

- EN 12445 (Safety in the use of automated closures, test methods)
- EN 12453 (Safety in the use of automated closures, requirements)
- EN 60204-1 (Safety of Machinery, electrical equipment of machines, part 1: general principles)

In particular, with reference to the table in the section "PRELIMINARY CHECKS and IDENTIFICATION OF THE TYPE OF USE" in the majority of cases, it will be necessary to measure the impact force, in accordance with the provisions of EN 12445.

Adjusting the operating force is possible by programming the electronic circuit board, and the impact force profile should be measured using an appropriate device (itself also certified and subjected to annual calibration) capable of tracing the force-time graph.

The result should be in compliance with the following maximum values:



For a comprehensive guide on the installation of automation devices and the documentation to be prepared, we recommend use of the guides issued by the Italian association UNAC, obtainable from www.v2home.com

15 - MAINTENANCE

Maintenance should be performed in full compliance with the safety instructions described in this manual and in accordance with current legal and regulatory provisions. The recommended interval between each maintenance operation is six months, the checks involved should at least relate to:

- the perfect efficiency of all warning devices
- the perfect efficiency of all safety devices
- measurement of the gate operating forces
- the lubrication of mechanical parts on the automation device (where necessary)
- the state of wear of the mechanical parts on the automation device
- the state of wear of the electrical cables on the electromechanical actuators

The result of each check should be recorded in a gate maintenance log.



16 - DISPOSAL OF THE PRODUCT

As for the installation operations, even at the end of this product's life span, the dismantling operations must be carried out by qualified experts.

This product is made up of various types of materials: some can be recycled while others need to be disposed of. Find out about the recycling or disposal systems envisaged by your local regulations for this product category.

Important! – Parts of the product could contain pollutants or hazardous substances which, if released into the environment, could cause harmful effects to the environment itself as well as to human health.

As indicated by the symbol opposite, throwing away this product as domestic waste is strictly forbidden. So dispose of it as differentiated waste, in accordance with your local regulations, or return the product to the retailer when you purchase a new equivalent product.

Important! – the local applicable regulations may envisage heavy sanctions in the event of illegal disposal of this product.

AUTOMATION DEVICE USERS MANUAL

AUTOMATION DEVICE USER INFORMATION

An automation system is a great convenience, in addition to a valid security system, and with just a little, simple care, it is made to last for years.

Even if your automation device meets all the safety standards, this does not exclude the presence of residual risk, i.e. the possibility that hazardous situations may be created, usually due to irresponsible or even improper use, and for this reason we wish to offer some advice regarding the behaviour to be adopted in order to avoid problems:

Prior to using the automation device for the first time, ask the installer to explain the sources of residual risk to you, and take some time to read the instruction manual and user information delivered by the installer.

Keep the manual for any future doubts and give it to any new owners of the device.

Your automation device is a machine that faithfully follows your commands; irresponsible and improper use can make it become hazardous: do not start movement of the device if there are people, animals or objects within its radius of action.

Children: installed in accordance with technical regulations, an automation system guarantees a high level of safety. However, it is prudent to prevent children from playing near the automation device and to avoid unintentional use; never leave the remote control within the reach of children: it is not a toy!

Anomalies: as soon as the automation device shows any anomalous behaviour, remove the electricity supply and perform manual unblocking. Do not attempt any repairs yourself, but ask your installer: in the meantime, the system can operate as a non-automated device.

Maintenance: as with all machinery, your automation devices requires periodic maintenance so that it may continue to work for as long as possible, and in complete safety. Agree a periodic maintenance plan with your installer; V2 SpA recommends a maintenance plan to be performed every 6 months for normal domestic use, but this period may vary depending on the intensity of use.

Any inspection, maintenance or repairs should only be performed by qualified personnel. Even if you think you know how, do not modify the system and the automation device programming and adjustment parameters: your installer is responsible for this.

Final testing, periodic maintenance and any repairs should be documented by those performing the operations, and the documents held by the system owner.

Disposal: on completion of the device's operating life, ensure that disposal is performed by qualified personnel and that the materials are recycled or disposed of in accordance with valid local regulations.

Important: If your device is fitted with a radio control, the function of which appears to deteriorate over time, or has even ceased to function, this might simply depend on the batteries being run down (depending on the type, this may be from several months to up to two/three years). Before contacting your installer, try replacing the battery with the battery from another, working transmitter: if this was the cause of the problem, then simply replace the battery with another of the same type.

Are you satisfied? Should you wish to add another automation device to your home, contact the same installer and ask for a V2 SpA product: we guarantee you the most advanced products on the market and maximum compatibility with existing automation devices. Thank you for having read these recommendations, and for any present or future needs, we ask you to contact your installer in full confidence.

MOTOR OVERRIDING SYSTEM

In case of absence of current, the gate can be released by operating on the motor:

1. Open the hatch of the lock **J** in front of the motor
2. Insert the key **K** in the lock and turn clockwise to open the hatch of the release on the side
3. Insert the key **L** into the hole and turn clockwise until reached the limit switch

To restore the automation, proceed as follows:

1. Turn the key **L** anticlockwise until reached the limit switch, then draw it out
2. Turn the key **K** anticlockwise closing the hatch of the lock, then draw it out
3. Close the lock with the hatch **J**

