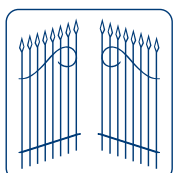




# NYOTA 115

**Electro-mechanical sliding gate operator**



**FADINI**  
the gate opener  
Made in Italy





## Electro-mechanical sliding gate operator

# NYOTA 115



**NYOTA 115**, an electro-mechanical operator, has been designed so that it can suit any structure of sliding gates.

### The maximum safety of movement

Its design, compact and stylish, allows to enclose in its inside all accident prevention devices in conformity with EN 12445, EN 12453 regulations, i.e.: steady lock braking action in stop position - manual self-controlled emergency release - switch under the housing to cut off operative logic circuit - line switch incorporated in the control box - built in end stop limit switches operated by normally closed mechanical contact. Besides, a coded lock is supplied on customers' request to have access to emergency release.

### Powerful, strong and resistant, in one word reliable

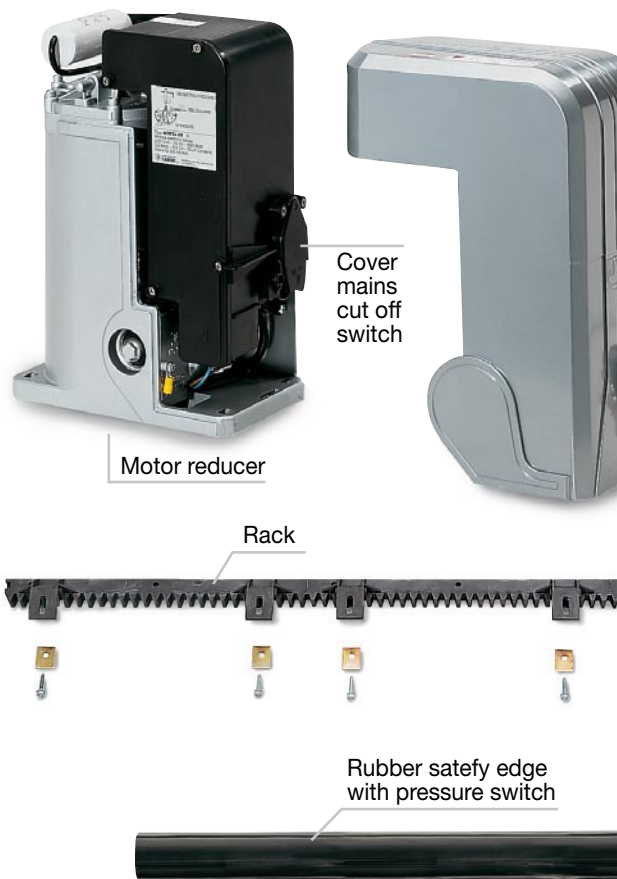
Thanks to its structure out of a single piece of die cast aluminium, to its parts of special steel and bronze, and to bearings in oil bath, it can stand changes in temperature between  $-20^{\circ}\text{C}$  and  $+80^{\circ}\text{C}$ .

The electric motor is made of special materials and designed on the basis of an advanced technology allowing the construction of a braking device built into the motor itself, so that the drive shaft is coupled to the clutch made of lamellate disks that are adjustable from outside. This device allows us to obtain the pair limit control as prescribed by EN 12453, EN 12445 regulations. Clutch unit and brake device are patented and constructed by Meccanica Fadini that has achieved, in this way, a first class, long lasting operator.

The patented, manual release complete with safety device is next to the drive shaft and in case of power failure, makes the gear run idle. All operations can be remote controlled through a coded radio and an electronic programmer inserted into a container under the housing. Nyota 115 comes in two models of different horse power: 0,5 HP and 1,0 HP single-phase. It is equipped with various accessories such as an anchor bracket to fix the motor to the ground, 2 end stop plates, a box wrench to adjust clutch and manual release and to unlock the housing.

Nyota 115 is the result of the experience gained by Meccanica Fadini in the design and construction of more and more advanced automatic systems.

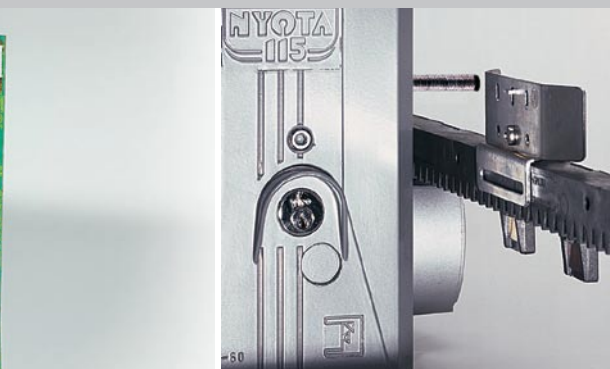
A firm whose prestige is a synonym for leading construction perfection in the field of remote controlled gate openers.



Installation of the operator



Details of the operator



Details of the operator



## Accessories



**ELPRO 10 PLUS CEI**  
electronic programmer



**PRIT 19**  
keyswitch



**RADI 12**  
digital pushbutton switch



**MIRI 4**  
flashing lamp



**BIRIO A8**  
rod aerial



**POLO 44**  
photocells



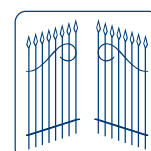
**ASTRO 43/1 R M.Q.B.**  
radio receiver



**ASTRO 43/2 TR Small**  
transmitter



Detail: lock with key



**FADINI**  
the gate opener  
Made in Italy

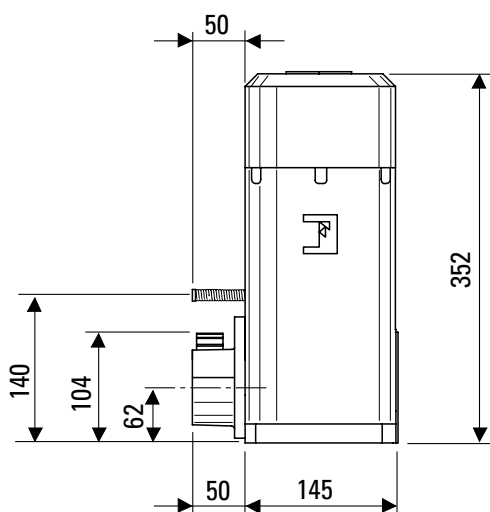
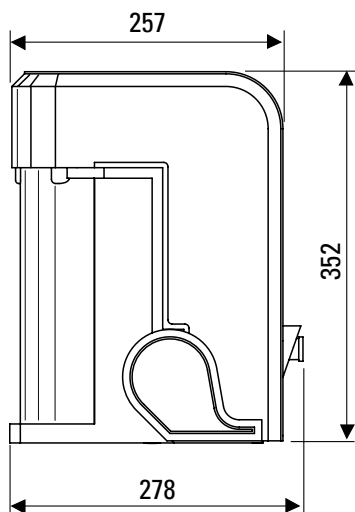
# NYOTA 115 Electro-mechanical sliding gate operator



Electric Motor				
	Single-phase	Three-phase	Single-phase	Three-phase
Power output	0.37 KW (0.5 HP)	0.37 KW (0.5 HP)	0.73 KW (1 HP)	0.73 KW (1 HP)
Supply voltage / Frequency	230 V - 50 Hz	230/400 V - 50 Hz	230 V - 50 Hz	230/400 V - 50 Hz
Absorbed power	600 W	575 W	1'130 W	1'030 W
Absorbed current	3.2 A	2.1/1.2 A	5.7 A	3.7/2.2 A
Motor rotation speed	1'380 rpm	1'380 rpm	1'380 rpm	1'380 rpm
Capacitor	30 µF		40 µF	
Intermittent service	S5	S5	S5	S5
Operator				
	Single-phase	Three-phase	Single-phase	Three-phase
Max torque	40 Nm	40 Nm	80 Nm	80 Nm
Gear ratio	1/32			
Travelling speed	9.6 m/min.			
Working temperature	-20°C +80°C			
Oil type	Oil Fadini - Kg 0.60			
Max. gate weight	500 Kg	600 Kg	800 Kg	1'200 Kg
Weight of Nyota 115	18.5 Kg	18 Kg	20 Kg	19.5 Kg
Protection standard	IP 557			
Duty cycle	25 sec. Open - 30 sec. Dwell - 25 sec. Close - 30 sec. Dwell			
Time of one complete cycle	110 sec.			
Complete cycles Open - Dwell - Close - Dwell	No. 33/hour			
Cycles a year, 8 hours a day	No. 96'000			

#### WARNINGS

- Dispose properly of packaging materials (cardboard, polystyrene, nylon) through specialized companies.
- All the electrical equipment must be properly earthed.



We recommend that installation complies with applicable regulations, the instructions enclosed and EN 12453 and EN 12445 standards in observance of essential EC requisites

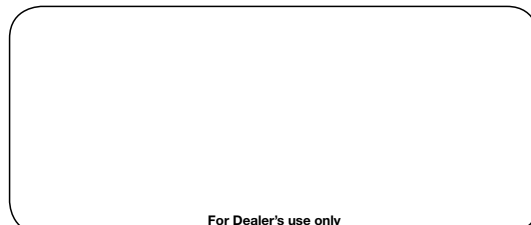


Directive 2003/108/EC  
Disposal of electric and electronic material  
**DO NOT DISPOSE OF AS NORMAL WASTE  
HARMFUL TO THE ENVIRONMENT**



**AUTOMATIC GATE MANUFACTURERS**

Via Mantova, 177/A - 37053 Cerea (Verona) Italy  
Tel. +39 0442 330422 r.a. - Fax +39 0442 331054  
e-mail: [info@fadini.net](mailto:info@fadini.net) - [www.fadini.net](http://www.fadini.net)



For Dealer's use only

The manufacturer reserves the right to make amendments to this manual without prior notice and declines all responsibility for any errors, personal injury or damage to property.